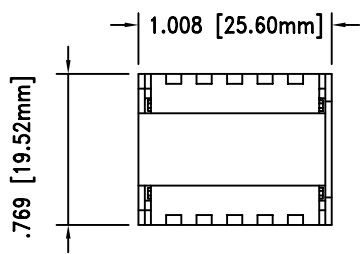


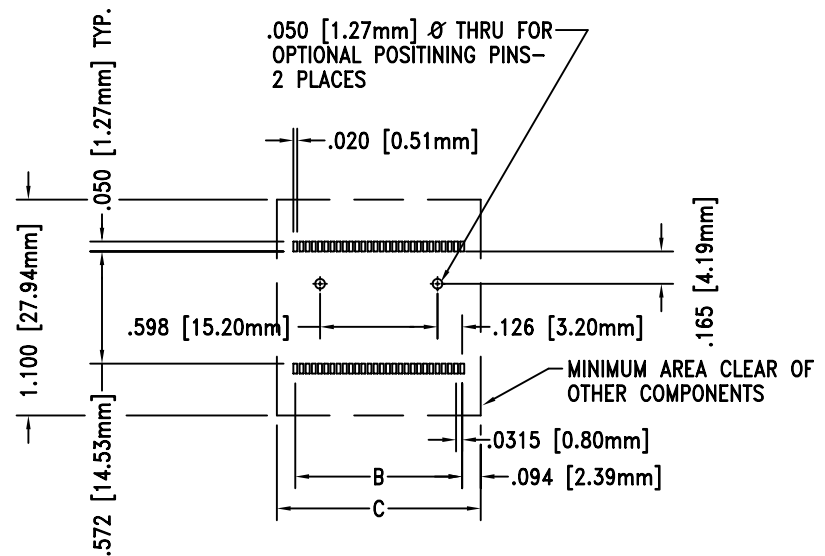
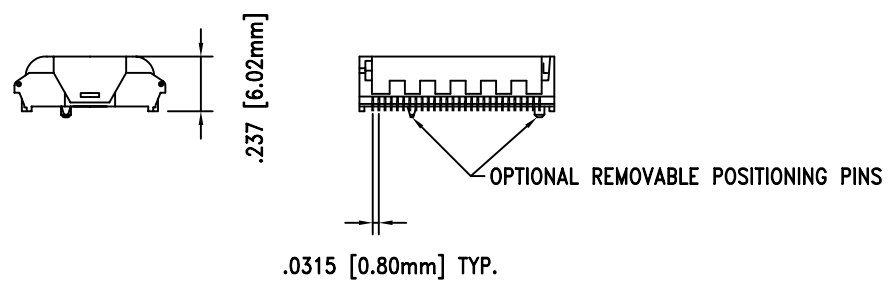
REV	DESCRIPTION	DATE	BY
A	NEW DRAWING	12/12/05	H.N.

SKT2472

LEAD FREE



DIM B		DIM C	
mm	inches	mm	inches
21.60	.850	27.38	1.078



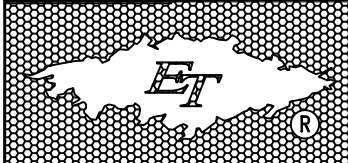
SPECIFICATIONS:

- FOR OEM, PROGRAMMING, PROTOTYPING AND TEST APPLICATIONS
- SURFACE MOUNT ZERO-INSERTION FORCE
- LAND-PAD FOOTPRINT COMMON FOR PACKAGE AND SOCKET
- EFFORTLESS PACKAGE LOADING AND UNLOADING
- BODY, LID AND LOCK MATERIAL: LCP
- TERMINAL MATERIAL: BeCu WITH PbSn PLATING
- MINIMUM INSERTION/WITHDRAWL CYCLES: 50
- TEMPERATURE RANGE: -55 C TO + 105 C
- CURRENT RATING: 0.5 AMP
- FLAMMABILITY: 940V-0

NOTE: INCLUDES POSITIONING PIN

SOCKET LAND-PAD FOOTPRINT

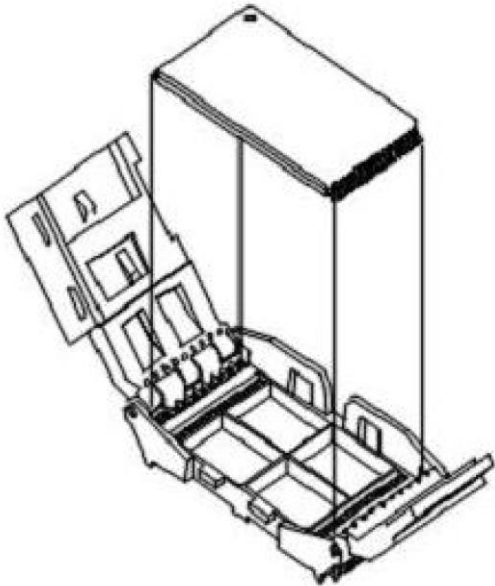
ALL DIMENSIONS ARE IN INCHES UNLESS OTHERWISE SPECIFIED



Emulation Technology, Inc.
 — VLSI and SMT ADAPTERS and ACCESSORIES —
 2344 Walsh Avenue, Bldg.F Santa Clara, Ca 95051
 TEL:(408)982-0660 FAX:(408)982-0664

PACKAGE SPECIFICATIONS	
PIN COUNT	= 56
LEAD PITCH	= 0.80mm
PACKAGE WIDTH	= 13.30mm

SHEET: 1 OF 1	DATE: 12/12/05	REVISION: A	ASSEMBLY DRAWING
CHECKED: Perry Munroe	DRAWN: Huy Nguyen	ITEM: S-SSO-SM-056-C1	
Scale 1:1	DO NOT SCALE DRAWING	DESCRIPTION: S-SSO-SM-056-C1	



The complete line of Emulation Technology's Surface Mount Sockets is available in Tape and Reel packaging format. The packaging format conforms to the EIA-481 standard packaging specifications. The sockets are packaged on 13" reels, which hold 250 pieces each.

Due to the ease of application, quality and reliability, ET's SOP sockets have proven to be the industry choice of product to meet their socket requirements. The identical land pad footprint between the socket and the flash device is a feature which allows design engineers to design their boards to accommodate both pre-production and production runs. The ET socket was designed to accommodate the full range of dimensions published in the current JEDEC "SOP" specifications

Socket Part Number	Pocket Pitch Inches/mm	Pocket Depth Inches/mm	Sprocket Pitch Inches/mm	Width of Tape Inches/mm
S-TSO-SM-040-B1 S-TSO-SM-040-B	.630 / 16.00	.252 / 6.40	.157 / 4.00	1.732 / 44.00
S-TSO-SM-048-B S-TSO-SM-048-B1	.945 / 24.00	.252 / 6.40	.157 / 4.00	1.732 / 44.00
S-TSO-SM-056-C S-TSO-SM-056-C1	.945 / 24.00	.264 / 6.70	.157 / 4.00	1.732 / 44.00
S-SOP-SM-044-E S-SOP-SM-044-E1	.945 / 24.00	.331 / 8.40	.157 / 4.00	1.732 / 44.00
S-SSO-SM-056-C S-SSO-SM-056-C1	.945 / 24.00	.303 / 7.70	.157 / 4.00	1.732 / 44.00

> All tape and sprocket hole dimensions per EIA-481 SPEC

> All pocket dimensions are +/- 0.010