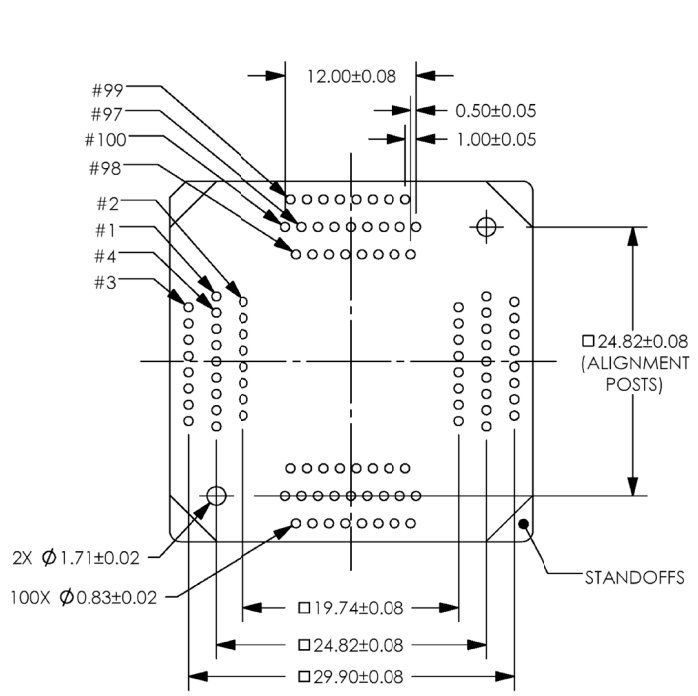
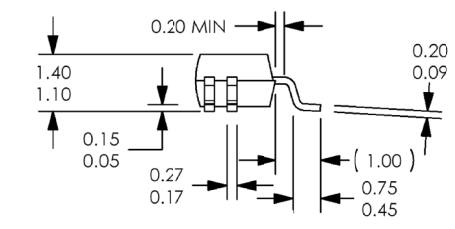
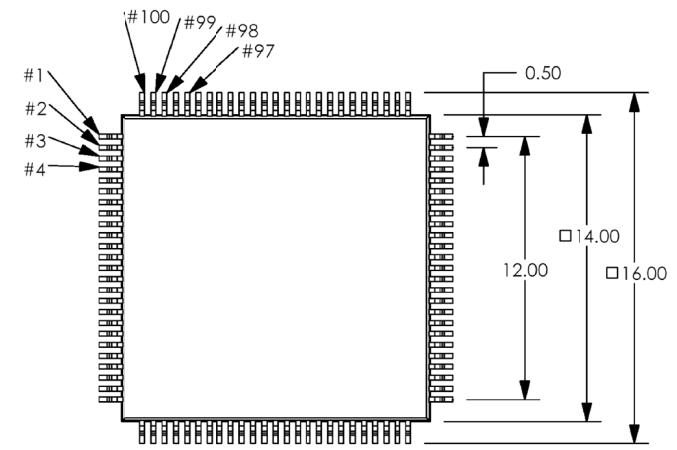
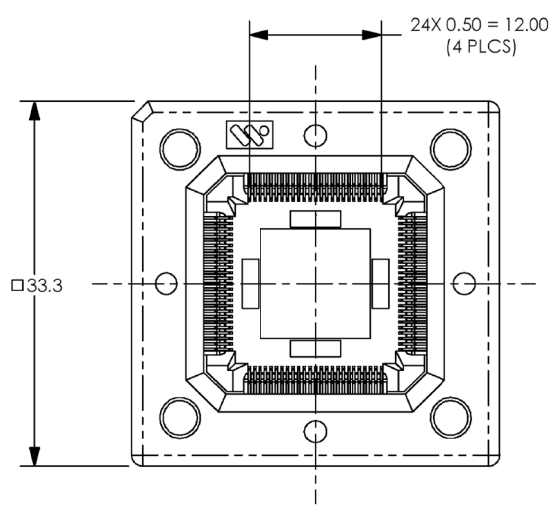
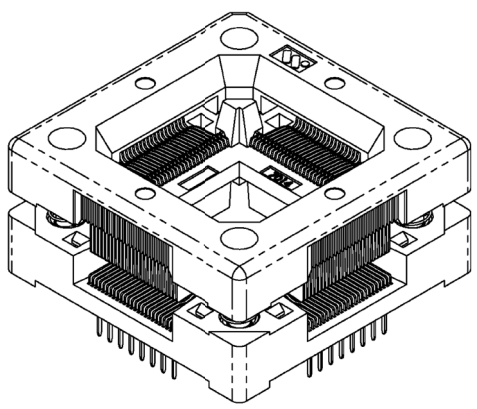


REV	DESCRIPTION	DATE	BY
A	NEW DRAWING	09/22/05	H.N.
B	UPDATED DRAWING	05/09/08	JAG

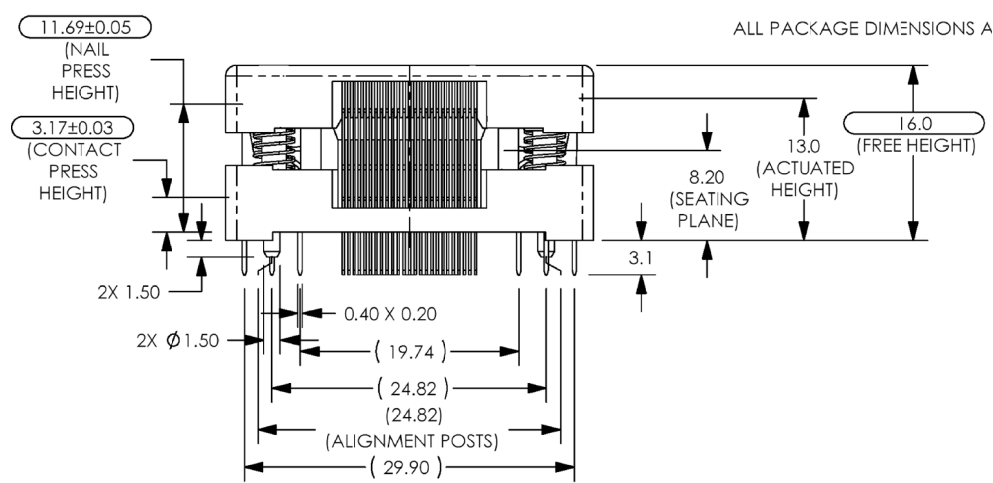
SKT2436



RECOMMENDED PCB HOLE PATTERN
(AS VIEWED FROM TOP THRU SOCKET)



ALL PACKAGE DIMENSIONS ARE FOR REFERENCE ONLY



PACKAGE SPECIFICATIONS	
PIN COUNT	≡ 100
LEAD PITCH	≡ 0.50mm
PACKAGE SIZE	≡ 14.00mm SQ
TIP TO TIP	≡ 16.00mm SQ

ALL DIMENSIONS ARE IN MILLIMETERS UNLESS OTHERWISE SPECIFIED

EMULATION TECHNOLOGY, INC.
— VLSI and SMT ADAPTERS and ACCESSORIES —

759 FLYNN ROAD
CAMARILLO, CA 93012

TEL: (805) 383-8480
FAX: (805) 383-8484

SHEET: 1 OF 1	DATE: 09/22/05	REVISION: B	ASSEMBLY DRAWING
CHECKED:	DRAWN: Huy Nguyen		ITEM: S-QFP-00-100-I
DO NOT SCALE DRAWING			DESCRIPTION: S-QFP-00-100-I