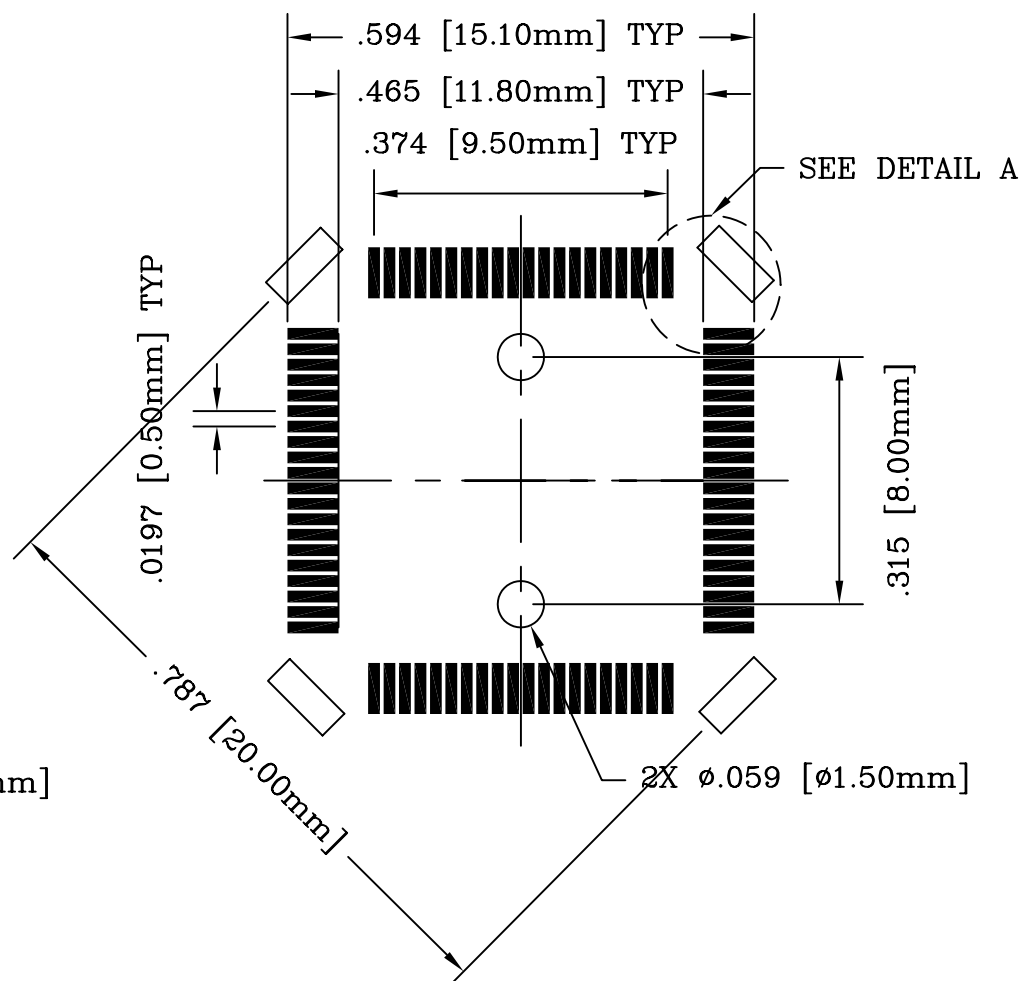
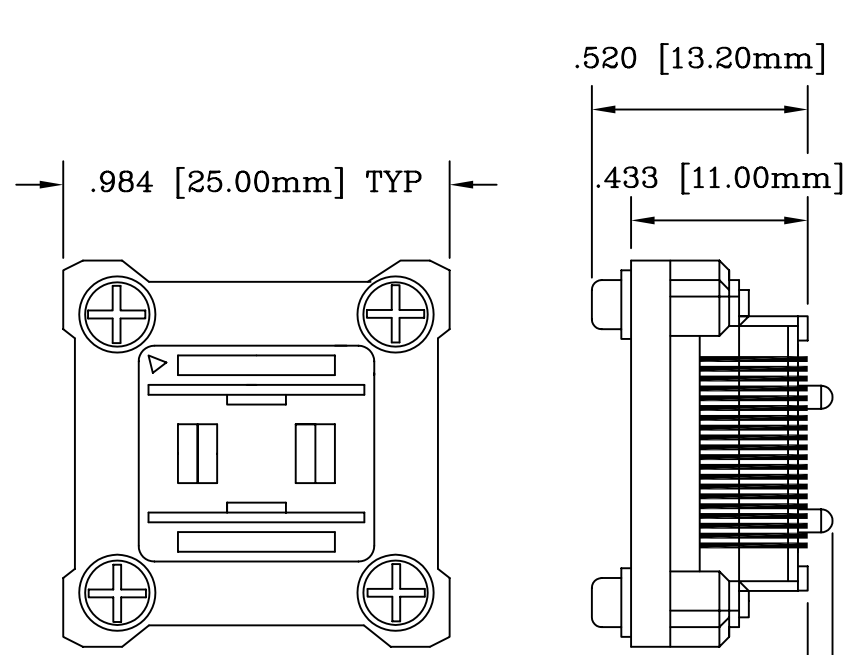


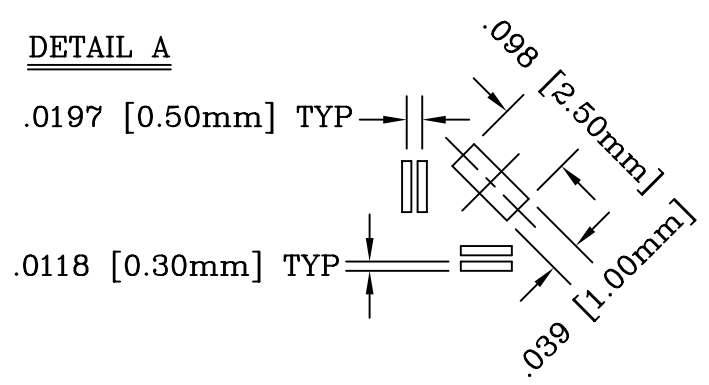
REV	DESCRIPTION	DATE	BY
A	NEW DRAWING	09/12/05	H.N.

SKT2420

SCALE 4:1

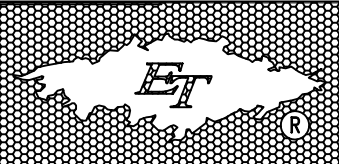


DETAIL A



RECOMMENDED SMT LAYOUT

ALL DIMENSIONS ARE IN INCHES UNLESS OTHERWISE SPECIFIED



Emulation Technology, Inc.
 — VLSI and SMT ADAPTERS and ACCESSORIES —
 2344 Walsh Avenue, Bldg.F Santa Clara, Ca 95051
 TEL:(408)982-0660 FAX:(408)982-0664

SHEET: 1 OF 1	DATE: 09/12/05	REVISION: A	ASSEMBLY DRAWING
CHECKED: Perry Munroe	DRAWN: Huy Nguyen	ITEM: S-QFP-SM-080-E2	
Scale 2:1		DO NOT SCALE DRAWING	DESCRIPTION: S-QFP-SM-080-E2

PACKAGE SPECIFICATIONS	
PIN COUNT	≡ 80
LEAD PITCH	≡ 0.50mm
PACKAGE SIZE	≡ 12.00mm
TIP TO TIP	≡ 14.00mm
PACKAGE CODE	≡ 80-QF47D