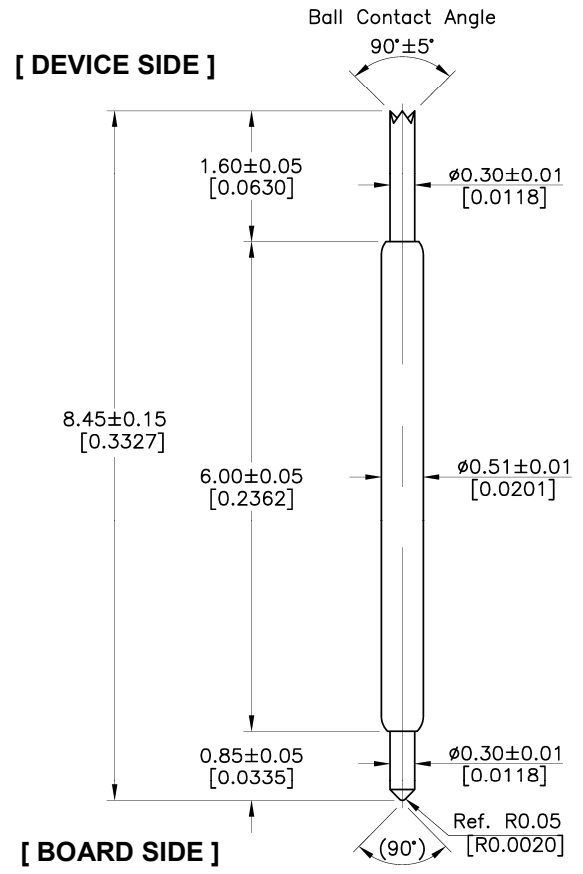


REV	DESCRIPTION	DATE	BY
A	NEW DRAWING	06/14/05	H.N.
B	ADDED MECH. & PERFORM. DATA	09/02/16	JAG

SKT2325

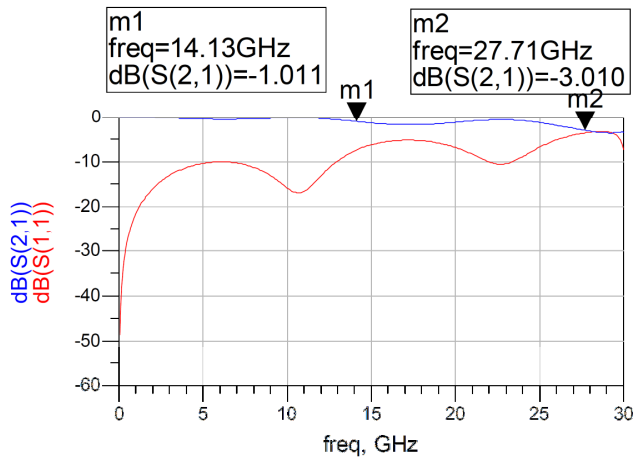


MEASURING EQUIPMENT

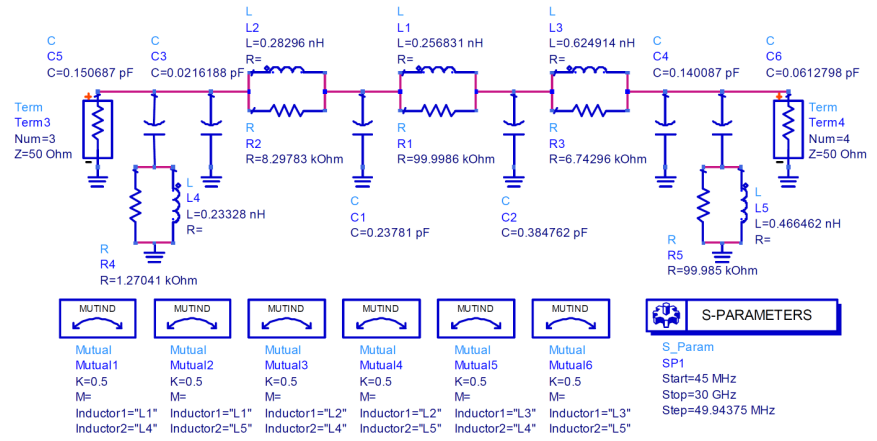
Agilent PNA-X N5244A VNA.
Hewlett-Packard 54750A TDR module

ELECTRICAL

Current Rating (based on 2 min Continuous @ Ambient Temp) 3.5A
 Self Inductance 1.16nH
 Mutual Inductance 0.42nH (K=0.5)
 Capacitance 1.00pF
 Propagation Delay 72.27ps
 Bandwidth 14.13GHz @ -1.011dB
 (Dielectric Material: ULTEM1000)



S-PARAMETER



EQUIVALENT CIRCUIT MODEL

MECHANICAL

Pointing Accuracy: ± 0.05 mm

Spring Force: ± 20%

STATE	TRAVEL	SPRING FORCE
Initial Travel	--	14.4g (0.508oz)
Recommended Travel	0.60mm (0.0236")	33.9g (1.196oz)
Full Travel	1.40mm (0.0551")	59.8g (2.109oz)

PART	MATERIAL	FINISH
Spring	Music Wire	Gold Plated
Barrel	Phosphor Bronze	Gold Plated
Plunger (Device Side)	Hardened Beryllium Copper	Gold Plated
Plunger (Board Side)	Hardened Beryllium Copper	Gold Plated

ALL DIMENSIONS ARE IN MILLIMETERS UNLESS OTHERWISE SPECIFIED

EMULATION TECHNOLOGY, INC.
 VLSI and SMT ADAPTERS and ACCESSORIES

741 FLYNN ROAD
CAMARILLO, CA 93012
 TEL: (805) 383-8480
 FAX: (805) 383-8484

SHEET: 1 OF 1 | DATE: 06/14/05 | REVISION: B | **ASSEMBLY DRAWING**

CHECKED: P. MUNROE | PREPARED BY: H. NGUYEN | ITEM: POGO-PIN-8.45-1

DO NOT SCALE DRAWING | DESCRIPTION: POGO-PIN-8.45-1