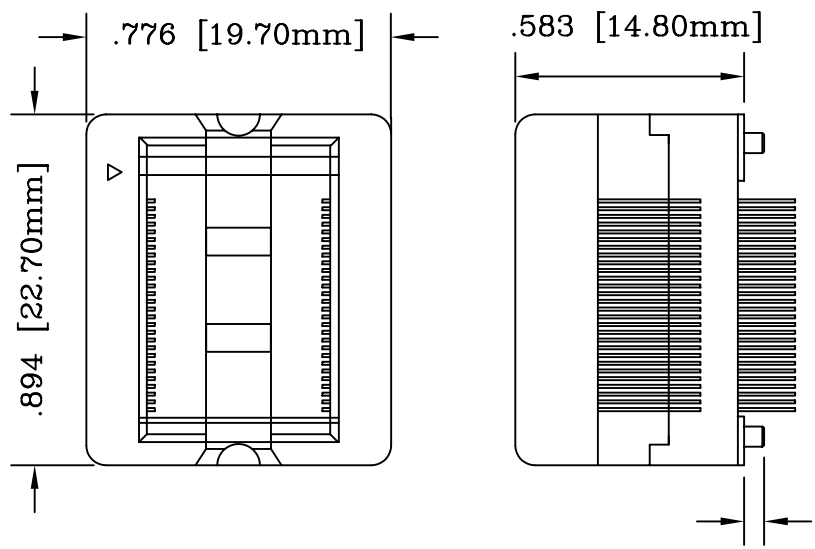
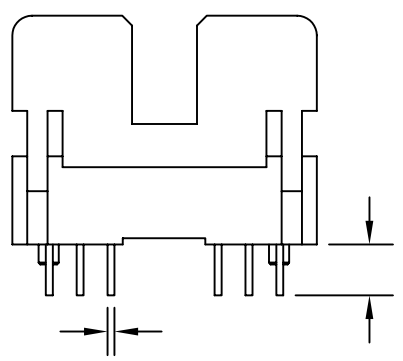
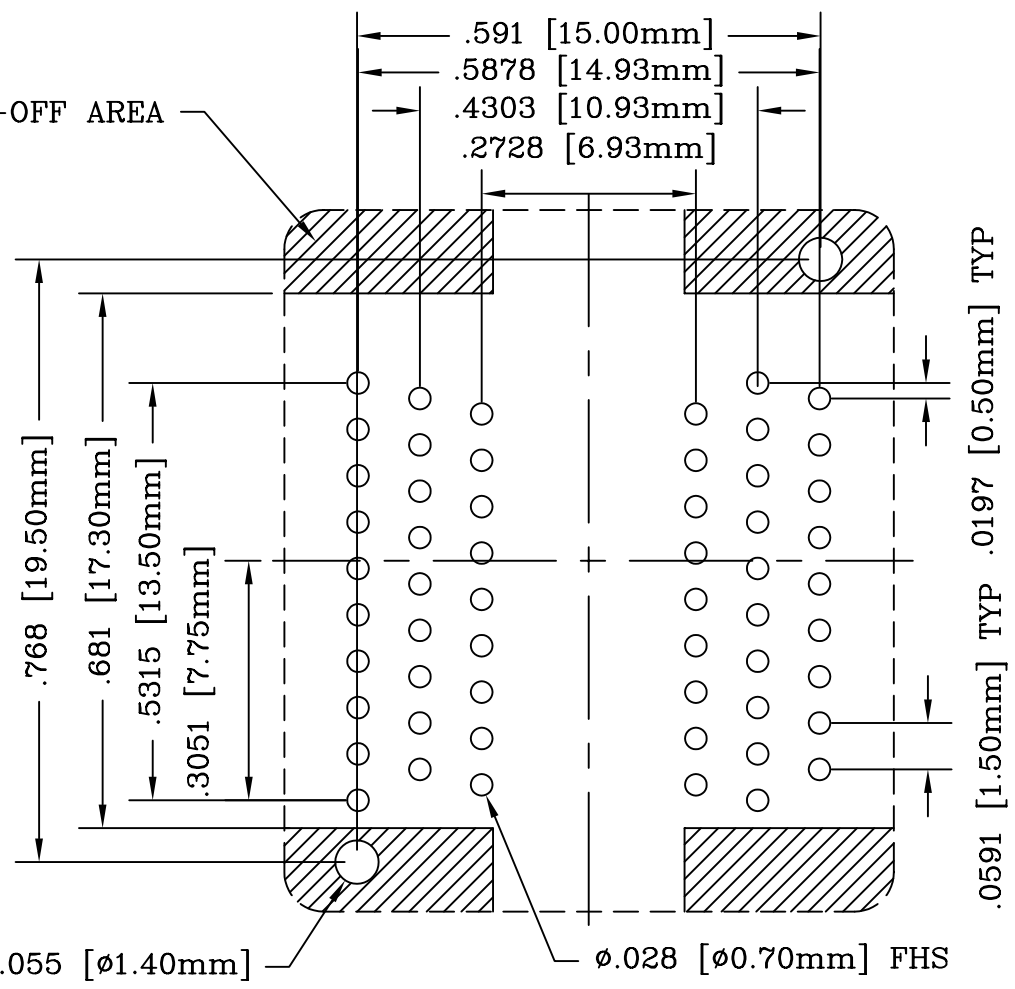


REV	DESCRIPTION	DATE	BY
A	NEW DRAWING	02/16/05	H.N.

SKT2235



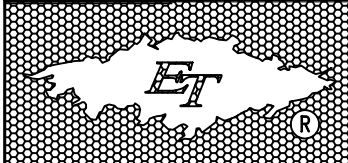
STAND-OFF AREA



CONTACT TAILS
.0098 [0.25mm]X
.0177 [0.45mm]

RECOMMENDED PCB LAYOUT
AS SEEN FROM TOP OF SOCKET

ALL DIMENSIONS ARE IN INCHES UNLESS OTHERWISE SPECIFIED



Emulation Technology, Inc.
— VLSI and SMT ADAPTERS and ACCESSORIES —
2344 Walsh Avenue, Bldg.F Santa Clara, Ca 95051
TEL:(408)982-0660 FAX:(408)982-0664

PACKAGE SPECIFICATIONS	
PIN COUNT	= 56
LEAD PITCH	= 0.50mm
PACKAGE WIDTH	= 6.10mm
ET PACKAGE CODE	= 56-SS/ST15

SHEET: 1 OF 1	DATE: 02/16/05	REVISION: A	ASSEMBLY DRAWING
CHECKED: Perry Munroe	DRAWN: Huy Nguyen	ITEM: S-SS0-00-056-G	
Scale 2:1	DO NOT SCALE DRAWING	DESCRIPTION: S-SS0-00-056-G	