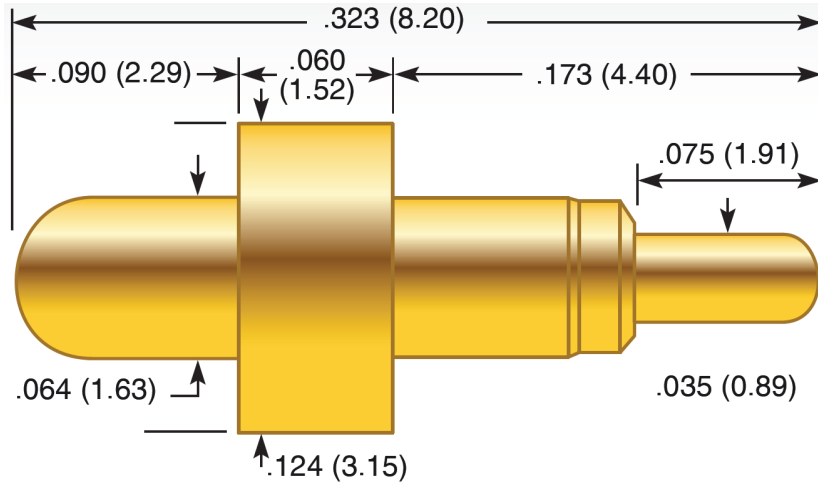


REV	DESCRIPTION	DATE	BY
A	NEW DRAWING	02/08/05	M. W.
B	UPDATED DWG AND NOTES	09/01/16	JAG

SKT2223



PROBE SPECIFICATIONS

Mechanical

Recommended Travel: .050 (1.27)

Full Travel: .075 (1.91)

Mechanical Life Exceeds: 2 x 10⁶ cycles

Operating Temperature: -55°C to +150°C

Consult factory for other temperature requirements.

Electrical (Static Conditions): 5 amps D.C. max

Maximum Current Rating (Non-inductive DC)

Average Probe Resistance: < 16mΩ

Materials and Finishes

Plunger: Beryllium over, Gold plated over hard Nickel

Barrel: Brass, Gold plated over hard Nickel

Spring: Stainless Silver, Silver plated

Mounting Hole Size: .067 (1.70) min.

Spring Force in oz. (grams)

Preload: 1.18 (33)

Recommended Travel: 3.25 (92)

APPLICATIONS

Probes are used in battery charger or electronic device applications such as:

1. Camcorders
2. Circuit board to board docking stations
3. Cellular Phones
4. 2-way radios
5. Computer docking stations
6. Cordless phones
7. Chargers
8. InkJet Printers
9. Notebook and laptop computers
10. AC/DC power supplies

BENEFITS AND FEATURES

1. Low resistance (average 16 milliohms)
2. Better contact than nickel-plated strip contacts
3. Maintains high compliancy
4. Less susceptible to damage
5. Can accommodate up to .025" subsurface battery mating contact
6. Longer life than conventional interconnects

Note: Consult factory for higher temperature applications.

ALL DIMENSIONS ARE IN INCHES UNLESS OTHERWISE SPECIFIED



EMULATION TECHNOLOGY, INC.

— VLSI and SMT ADAPTERS and ACCESSORIES —

741 FLYNN ROAD
CAMARILLO, CA 93012

TEL: (805) 383-8480
FAX: (805) 383-8484

SHEET: 1 OF 1	DATE: 02/08/05	REVISION: B	ASSEMBLY DRAWING
CHECKED: P. MUNROE	PREPARED BY: M. WILSON	ITEM: POGO-PIN-8.20-1	
DO NOT SCALE DRAWING			DESCRIPTION: POGO-PIN-8.20-1