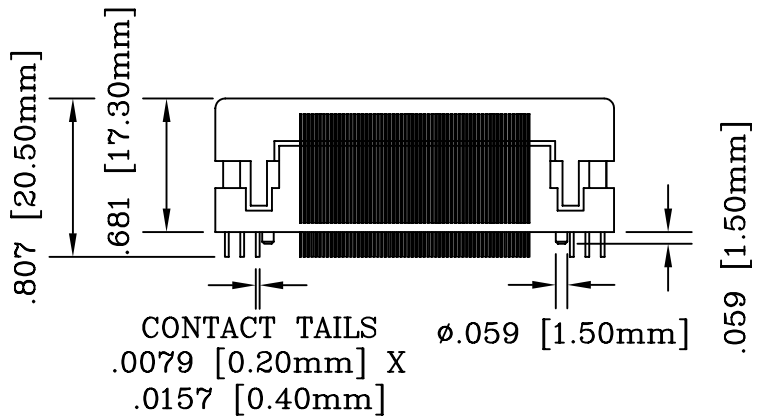
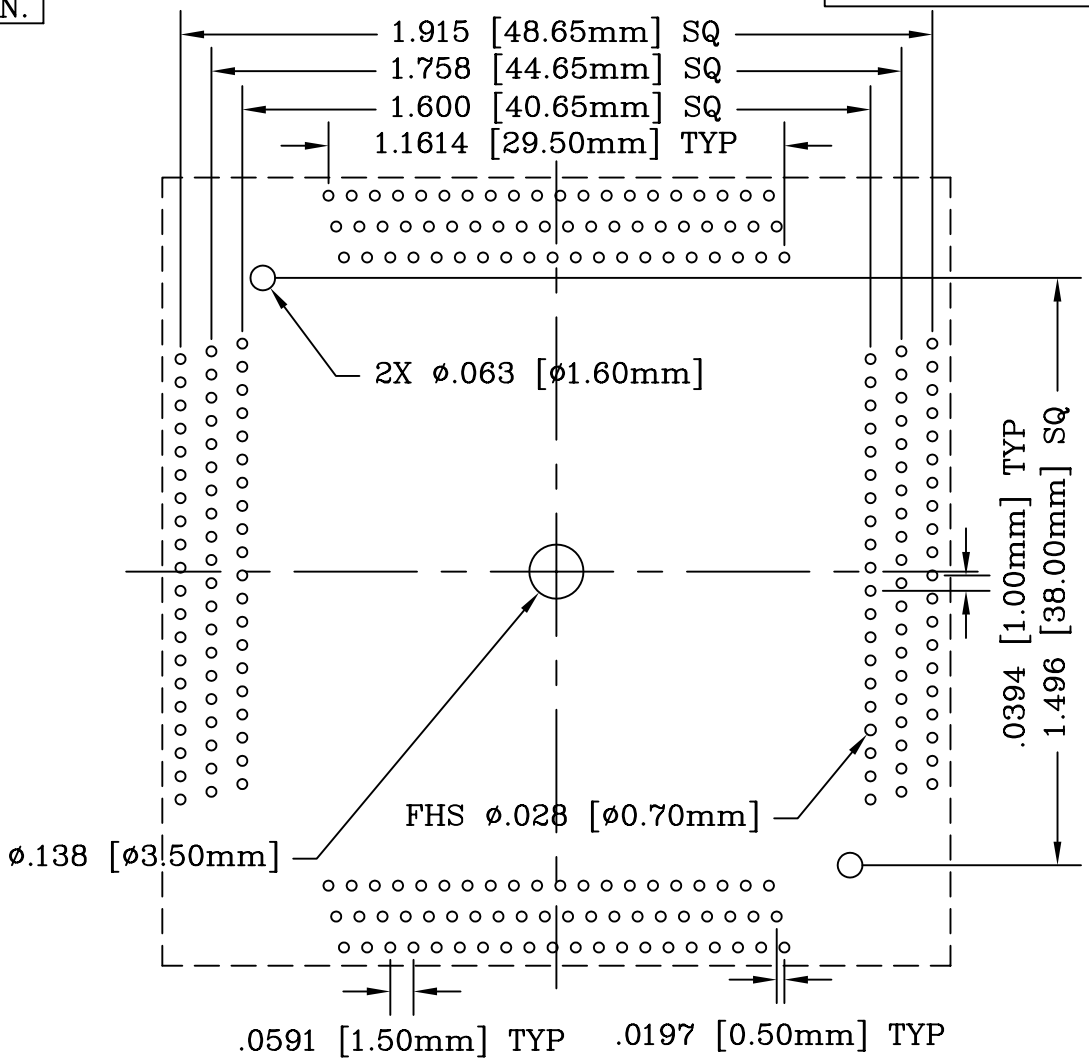
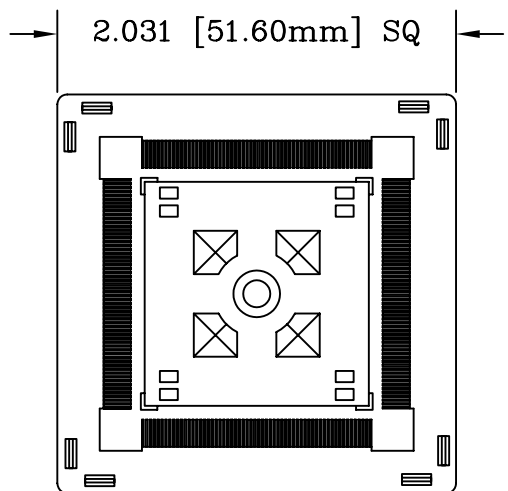


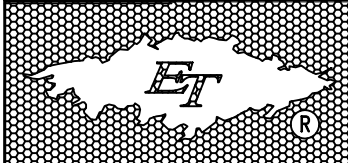
| REV | DESCRIPTION | DATE | BY |
|-----|-------------|----------|------|
| A | NEW DRAWING | 01/06/05 | H.N. |

SKT2178



RECOMMENDED PCB LAYOUT
AS SEEN FROM TOP OF SOCKET

ALL DIMENSIONS ARE IN INCHES UNLESS OTHERWISE SPECIFIED



Emulation Technology, Inc.
— VLSI and SMT ADAPTERS and ACCESSORIES —
2344 Walsh Avenue, Bldg.F Santa Clara, Ca 95051
TEL:(408)982-0660 FAX:(408)982-0664

| PACKAGE SPECIFICATIONS | |
|------------------------|-------------|
| PIN COUNT | = 240 |
| LEAD PITCH | = 0.50mm |
| PACKAGE SIZE | = 32.00mm |
| TIP TO TIP | = 34.60mm |
| ET PACKAGE CODE | = 240-QF62C |
| PACKAGE HEIGHT | = 3.95mm |

| | | | |
|--------------------------|----------------------|--------------------------------|-------------------------|
| SHEET: 1 OF 1 | DATE: 01/06/05 | REVISION: A | ASSEMBLY DRAWING |
| CHECKED: Perry Munroe | DRAWN: Huy Nguyen | ITEM: S-QFP-00-240-D | |
| Scale 1:1 | DO NOT SCALE DRAWING | DESCRIPTION: S-QFP-00-240-D | |