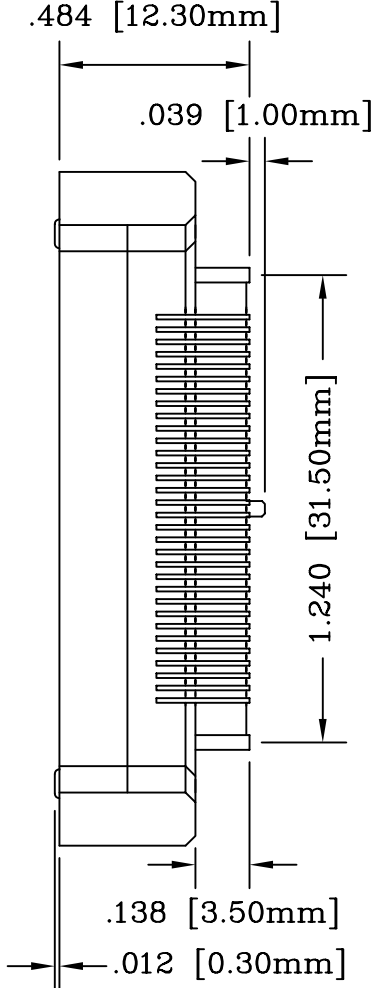
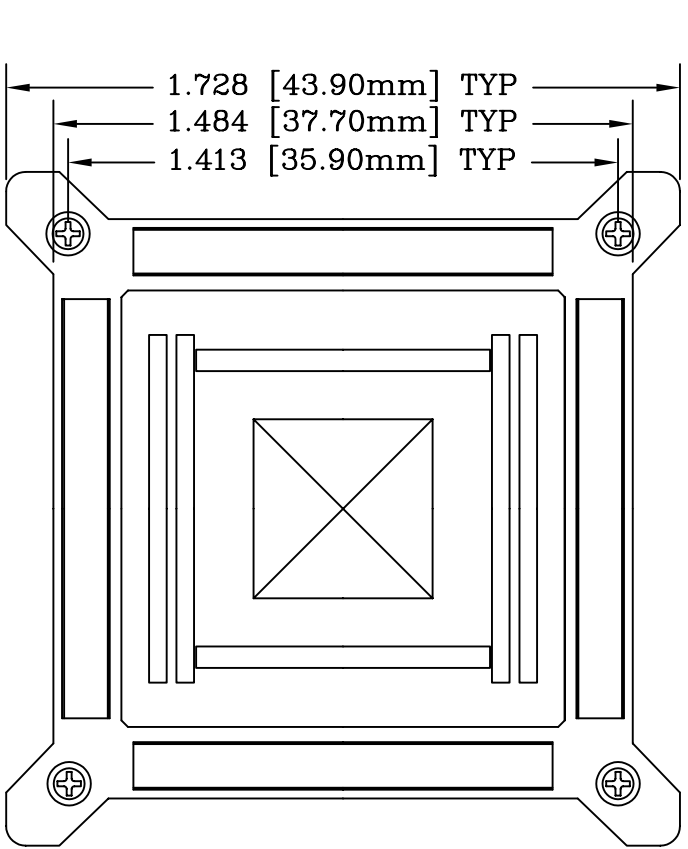
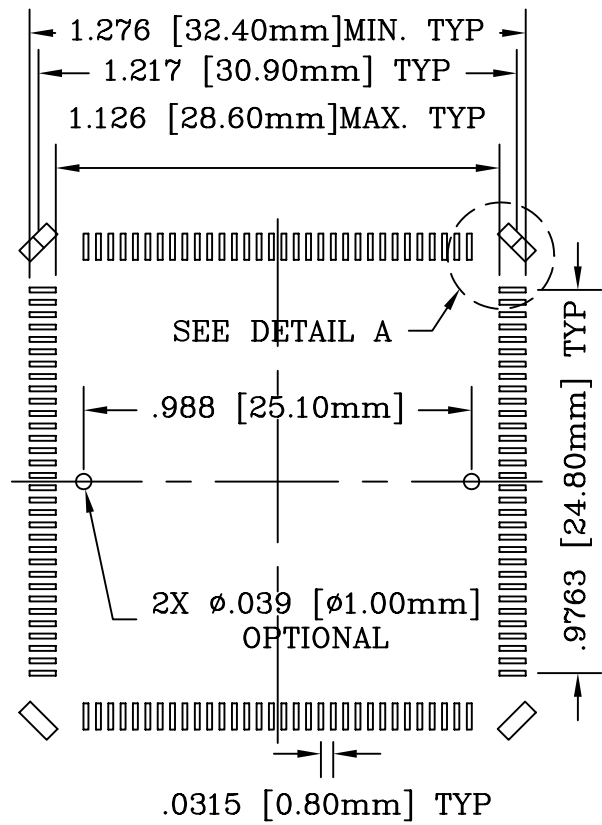


REV	DESCRIPTION	DATE	BY
A	NEW DRAWING	11/05/04	H.N.
B	ADDED ROHS COMPLIANT	07/19/06	H.N.

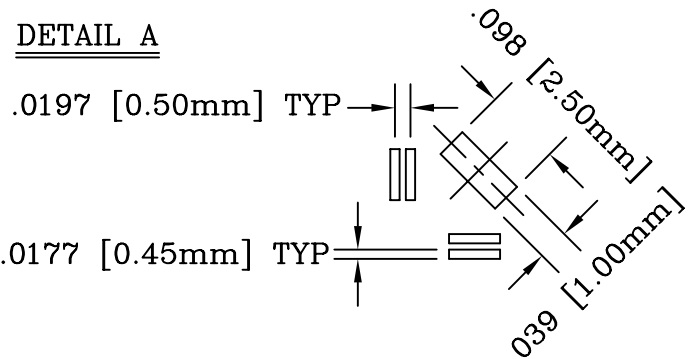
SKT2103



RoHS COMPLIANT

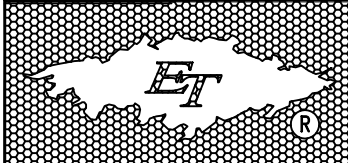


DETAIL A



RECOMMENDED PCB LAYOUT  
AS SEEN FROM TOP OF SOCKET

ALL DIMENSIONS ARE IN INCHES UNLESS OTHERWISE SPECIFIED



**Emulation Technology, Inc.**  
— VLSI and SMT ADAPTERS and ACCESSORIES —  
2344 Walsh Avenue, Bldg.F Santa Clara, Ca 95051  
TEL:(408)982-0660 FAX:(408)982-0664

SHEET: 1 OF 1	DATE: 11/05/04	REVISION: B	<b>ASSEMBLY DRAWING</b>
CHECKED: Perry Munroe	DRAWN: Huy Nguyen	ITEM: S-QFP-SM-128-B	
Scale 2:1		DO NOT SCALE DRAWING	DESCRIPTION: S-QFP-SM-128-B

PACKAGE SPECIFICATIONS	
PIN COUNT	= 128
LEAD PITCH	= 0.80mm
PACKAGE SIZE	= 28.00mm SQ
TIP TO TIP	= 31.20mm SQ
ET PACKAGE CODE	= 128-QF13