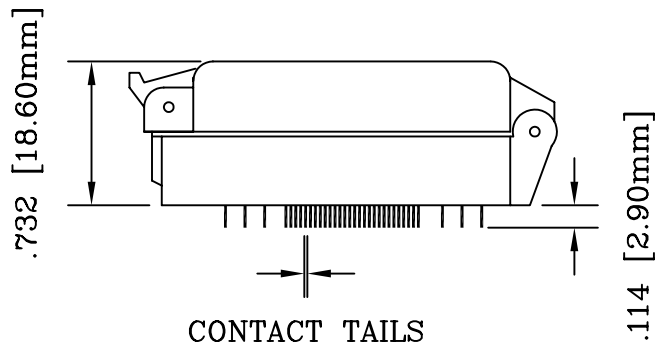
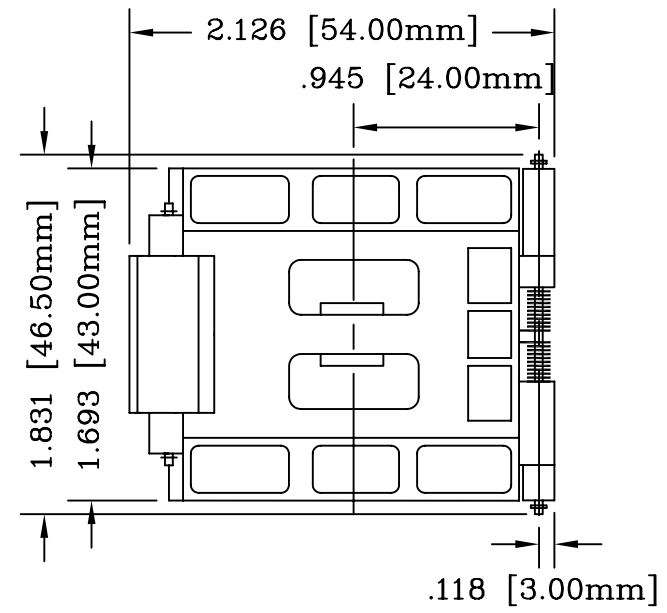


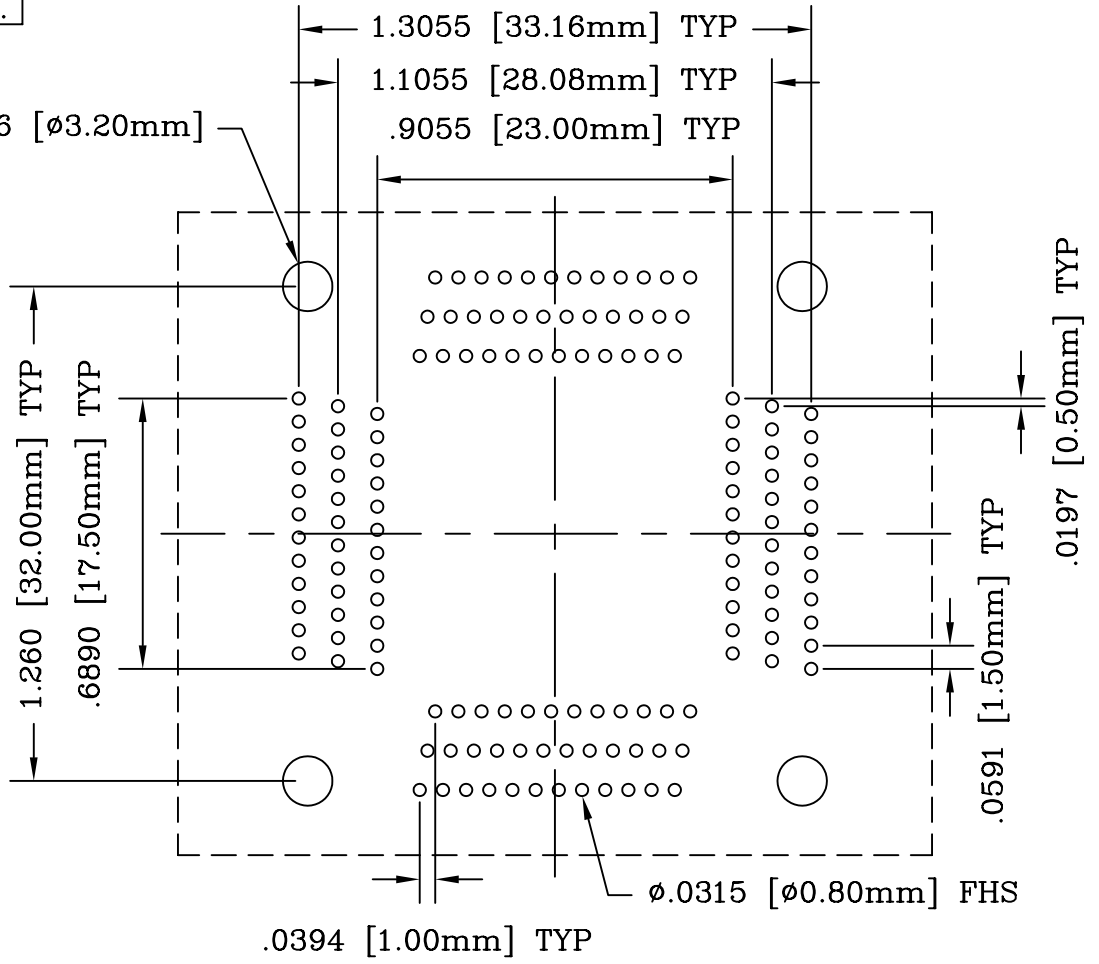
REV	DESCRIPTION	DATE	BY
A	NEW DRAWING	07/20/04	H.N.
B	ADDED PACKAGE HEIGHT	09/14/06	H.N.

SKT2038



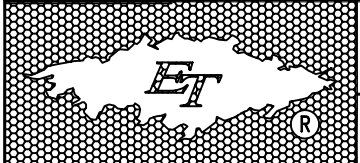
CONTACT TAILS
.0197 [0.50mm] X
.0098 [0.25mm]

4X ϕ .126 [ϕ 3.20mm]



RECOMMENDED PCB LAYOUT
AS SEEN FROM TOP OF SOCKET

ALL DIMENSIONS ARE IN INCHES UNLESS OTHERWISE SPECIFIED



Emulation Technology, Inc.
— VLSI and SMT ADAPTERS and ACCESSORIES —
2344 Walsh Avenue, Bldg.F Santa Clara, Ca 95051
TEL:(408)982-0660 FAX:(408)982-0664

PACKAGE SPECIFICATIONS	
PIN COUNT	= 144
LEAD PITCH	= 0.50mm
PACKAGE SIZE	= 20.00mm SQ
TIP TO TIP	= 22.00mm SQ
PACKAGE HEIGHT	= 1.2mm MAX.

SHEET: 1 OF 1	DATE: 07/20/04	REVISION: B	ASSEMBLY DRAWING
CHECKED: Perry Munroe	DRAWN: Huy Nguyen	ITEM: S-QFP-00-144-E3	
Scale 1:1			DO NOT SCALE DRAWING
DESCRIPTION: S-QFP-00-144-E3			