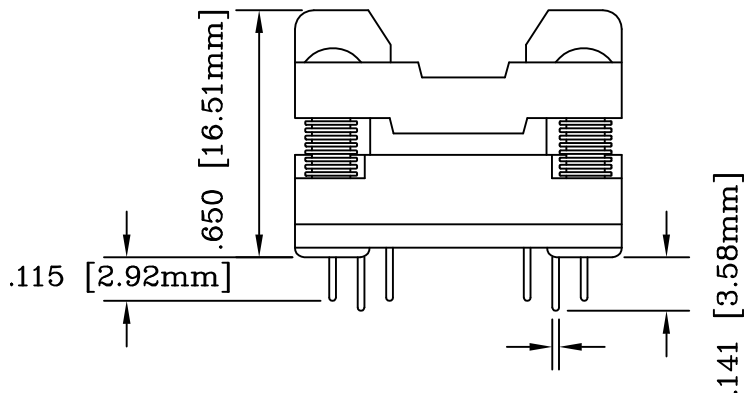
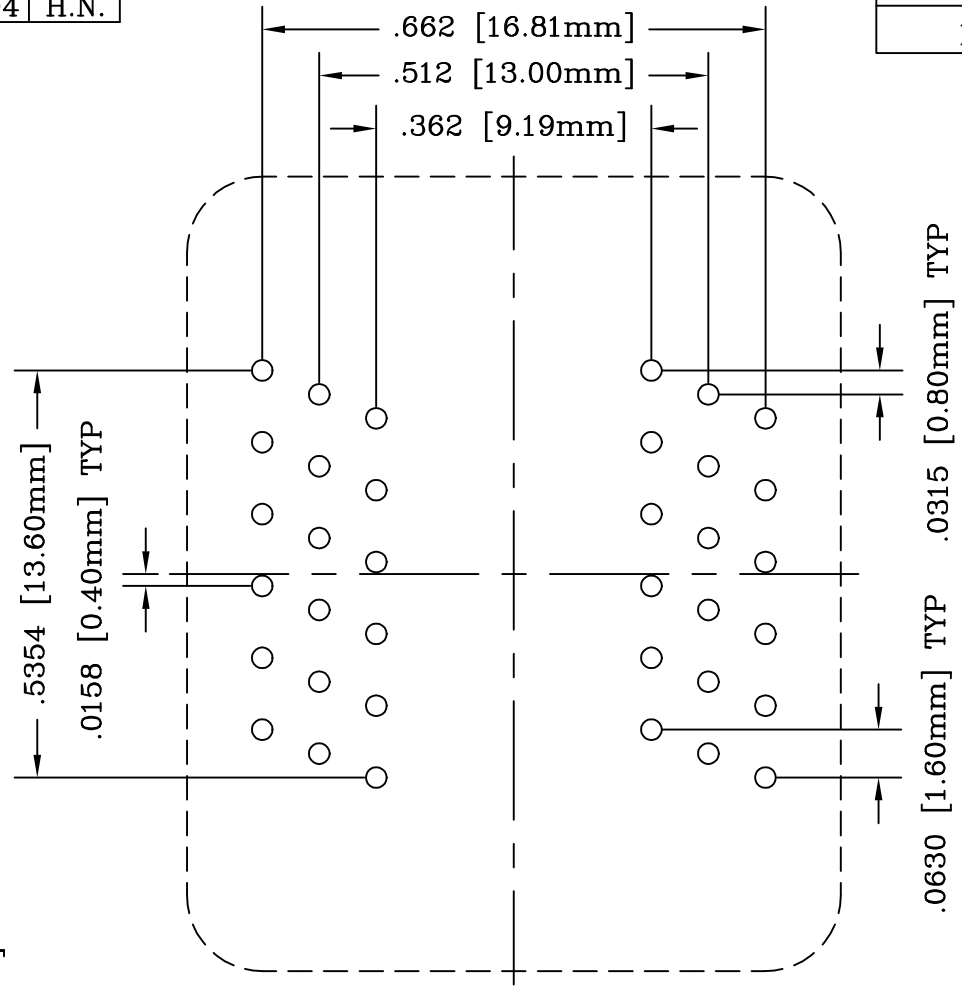
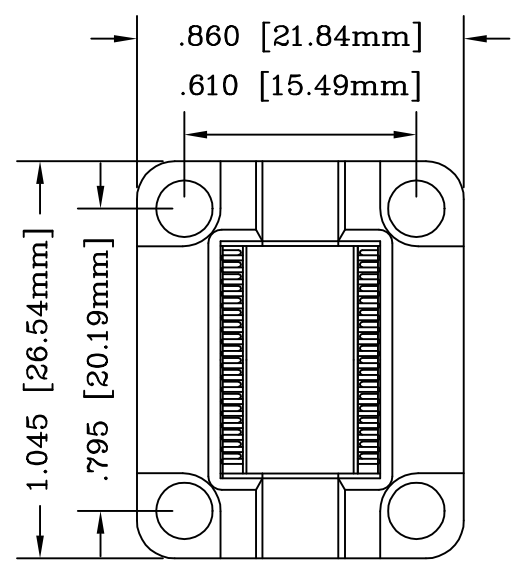


REV	DESCRIPTION	DATE	BY
A	NEW DRAWING	01/06/04	H.N.

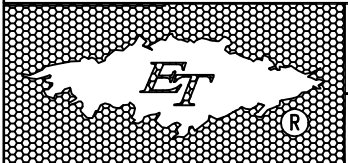
SKT1923  
DOD 41923



CONTACT TAILS  
.025 [0.64mm] X  
.008 [0.20mm]

RECOMMENDED PCB LAYOUT  
AS SEEN FROM TOP OF SOCKET

ALL DIMENSIONS ARE IN INCHES UNLESS OTHERWISE SPECIFIED



**Emulation Technology, Inc.**  
— VLSI and SMT ADAPTERS and ACCESSORIES —

2344 Walsh Avenue, Bldg.F  
Santa Clara, Ca 95051  
TEL:(408)982-0660  
FAX:(408)982-0664

PACKAGE SPECIFICATIONS	
PIN COUNT	= 36
LEAD PITCH	= 0.80mm
PACKAGE WIDTH	= 7.62mm

SHEET: 1 OF 1	DATE: 01/06/04	REVISION: A	<b>ASSEMBLY DRAWING</b>
CHECKED: Perry Munroe	DRAWN: Huy Nguyen	ITEM: S-SSO-00-036-B	
Scale 2:1	DO NOT SCALE DRAWING	DESCRIPTION: S-SSO-00-036-B	