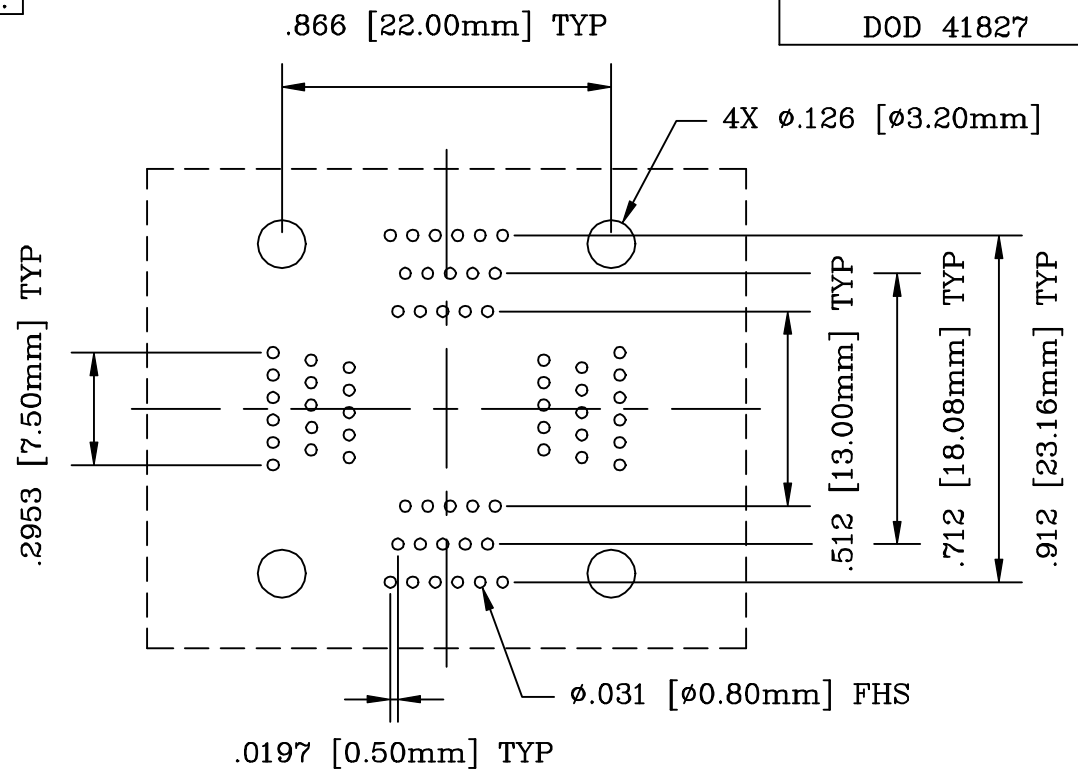
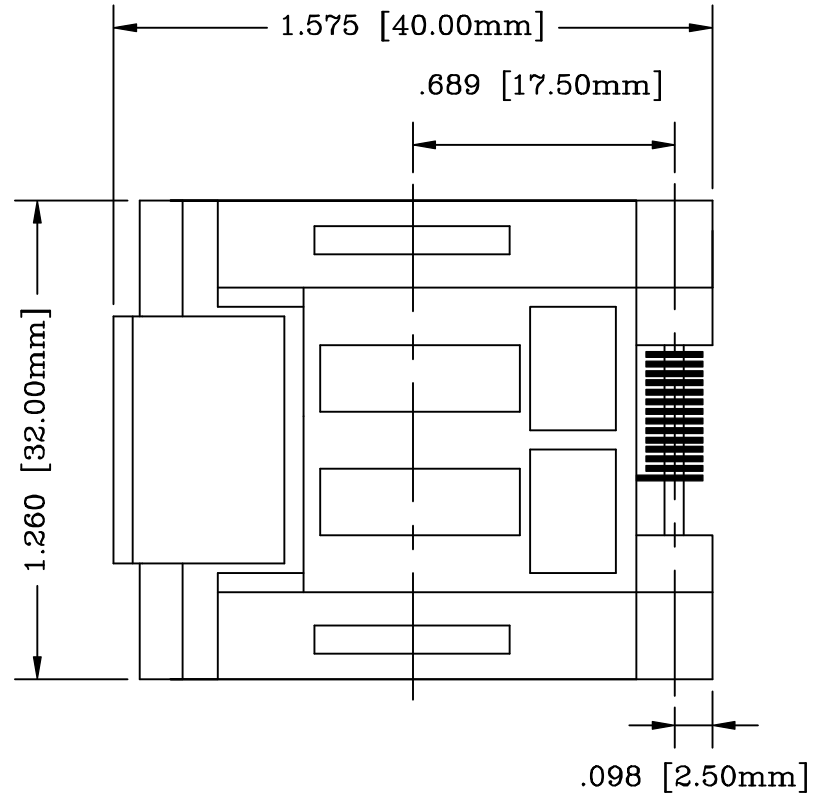
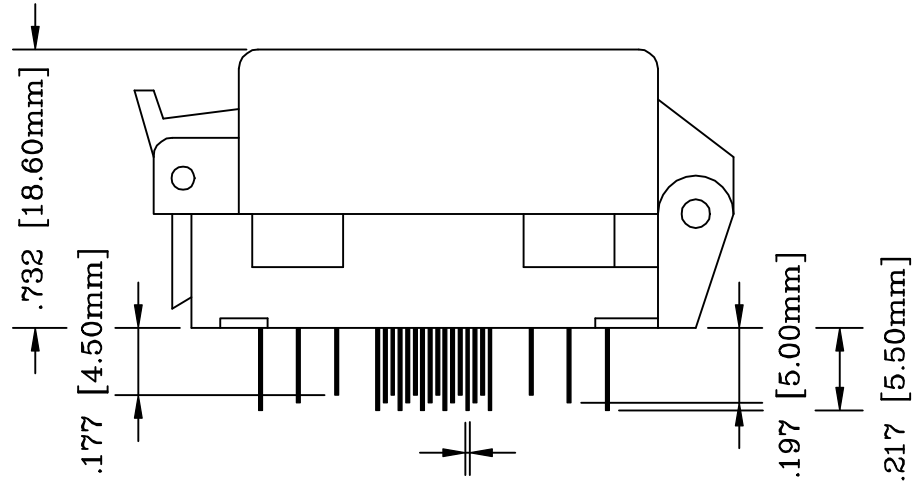


REV	DESCRIPTION	DATE	BY
A	NEW DRAWING	08/12/03	H.N.

SKT1827
DOD 41827



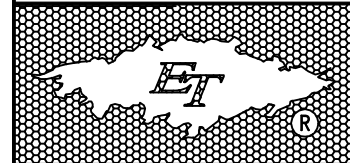
RECOMMENDED PCB LAYOUT
AS SEEN FROM TOP OF SOCKET



CONTACT TAILS
.0197 [0.50mm] X
.0098 [0.25mm]

PACKAGE SPECIFICATIONS	
PIN COUNT	= 64
LEAD PITCH	= 0.50mm
PACKAGE SIZE	= 10.00mm
TIP TO TIP	= 12.00mm

ALL DIMENSIONS ARE IN INCHES UNLESS OTHERWISE SPECIFIED



Emulation Technology, Inc.
— VLSI and SMT ADAPTERS and ACCESSORIES —
2344 Walsh Avenue, Bldg.F Santa Clara, Ca 95051
TEL:(408)982-0660 FAX:(408)982-0664

SHEET: 1 OF 1	DATE: 08/12/03	REVISION: A	ASSEMBLY DRAWING
CHECKED: Perry Munroe	DRAWN: Hanh Nguyen	ITEM: S-QFP-00-064-C1	DESCRIPTION: S-QFP-00-064-C1
Scale 2:1	DO NOT SCALE DRAWING		