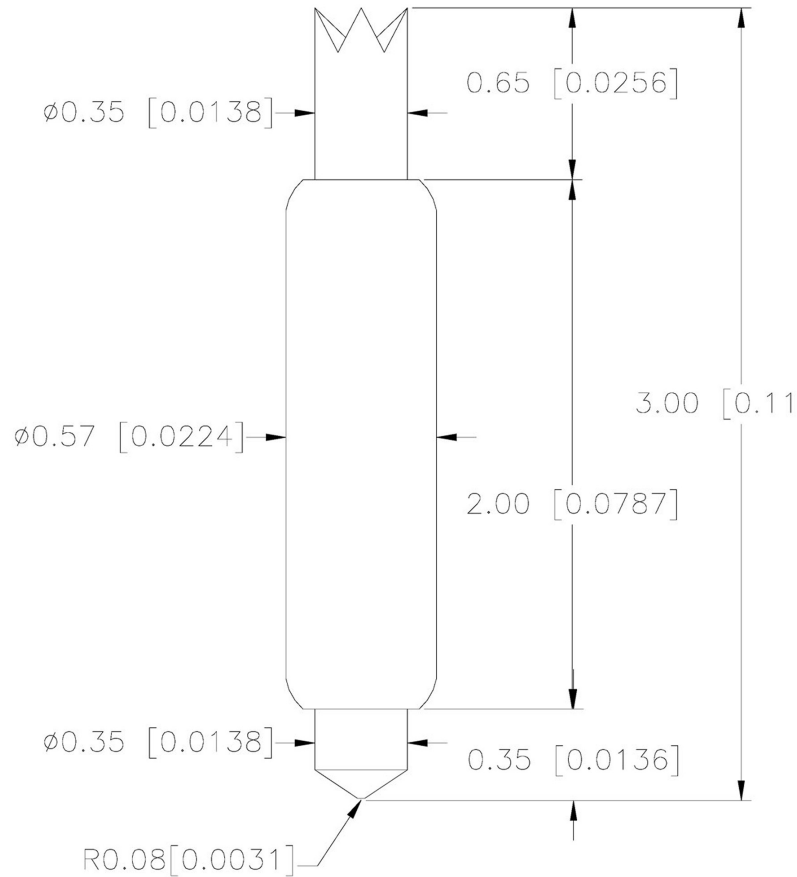


REV	DESCRIPTION	DATE	BY
A	NEW DRAWING	06/13/03	SC

SKT1770
DOD41770



Unit: Millimeter[inch]

#### Spring force

14.70g(0.519oz) at initial travel

31.00g(1.093oz) at 0.50mm(0.0197) recommended travel

35.30g(1.245oz) at 0.63mm(0.0248) full travel

#### Material & Finish

Plunger Hardened Beryllium copper / Gold Plated

Barrel Phosphor Bronze / Gold Plated

Spring Music Wire / Gold Plated

ALL DIMENSIONS ARE IN INCHES UNLESS OTHERWISE SPECIFIED



**Emulation Technology, Inc.**

VLSI and SMT ADAPTERS and ACCESSORIES

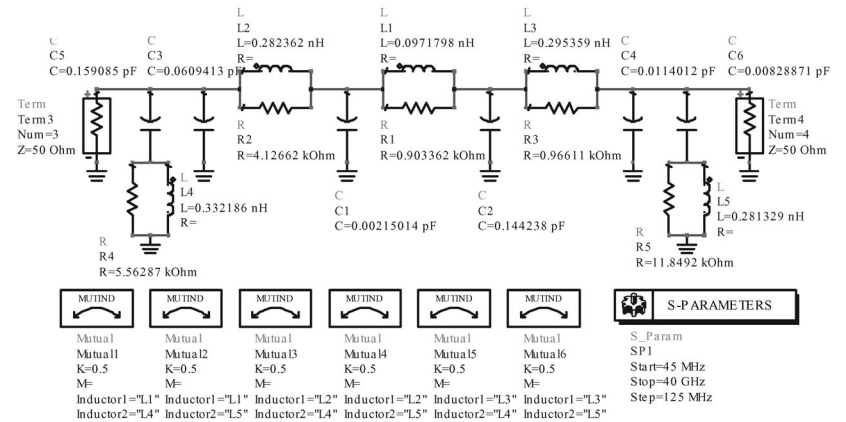
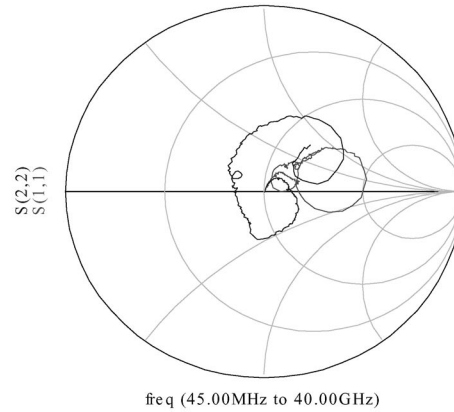
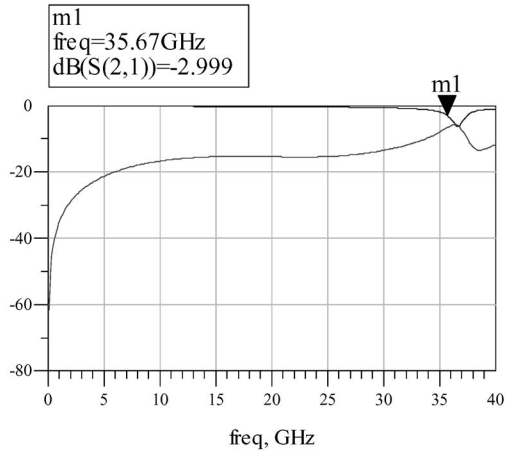
2344 Walsh Avenue, Bldg F  
Santa Clara, CA 95051

TEL: (408) 982-0660  
FAX: (408) 982-0664

SHEET: 1 OF 2	DATE: 6/13/03	REVISION: A	<b>ASSEMBLY DRAWING</b>
CHECKED: Joe Bagliere	DRAWN: SC	ITEM: POGO-PIN-3.00-1	
SCALED: N/A	DO NOT SCALE DRAWING		DESCRIPTION: POGO-PIN-3.00-1, 0.80mm Pitch

REV	DESCRIPTION	DATE	BY
A	NEW DRAWING	06/13/03	SC

SKT1770
DOD41770



## Electrical Spec.

Current Rating	: 1.0A Continuous
Probe Resistance	: Less than 50mohm
Self Inductance	: 0.67nH
Mutual Inductance	: 0.38nH(K=0.5)
Capacitance	: 0.38pF
Bandwidth	: 35.67GHz
Propagation Delay	: 27.04ps
(Dielectric material	: ULTEM1000)

ALL DIMENSIONS ARE IN INCHES UNLESS OTHERWISE SPECIFIED			
		<b>Emulation Technology, Inc.</b> VLSI and SMT ADAPTERS and ACCESSORIES	
		2344 Walsh Avenue, Bldg F Santa Clara, CA 95051	TEL: (408) 982-0660 FAX: (408) 982-0664
SHEET: 2 OF 2	DATE: 6/10/03	REVISION: A	<b>ASSEMBLY DRAWING</b>
CHECKED: Joe Bagliere	DRAWN: SC	ITEM:	POGO-PIN-3.00-1
SCALED: N/A	DO NOT SCALE DRAWING	DESCRIPTION:	POGO-PIN-3.00-1, 0.80mm Pitch