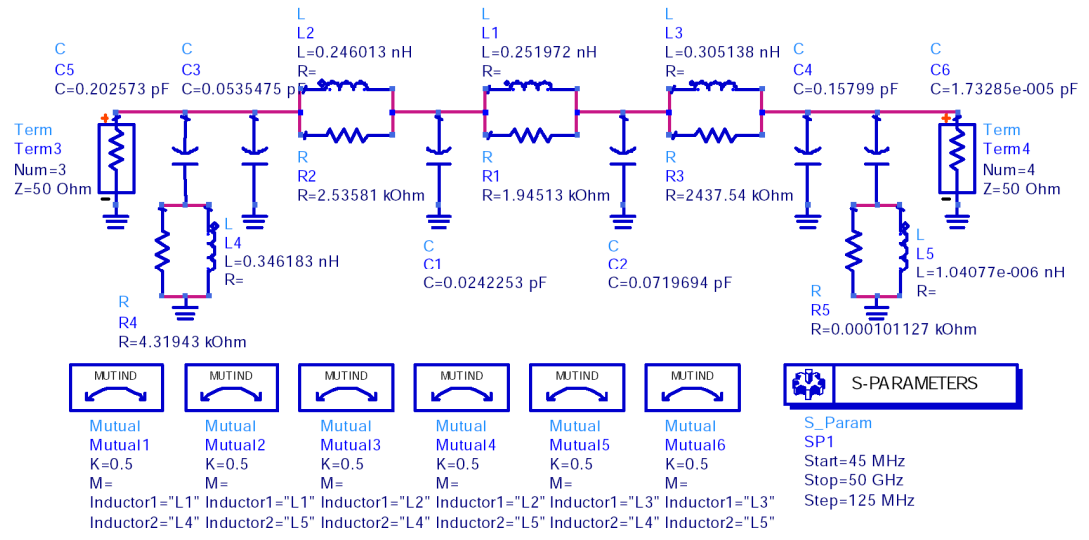
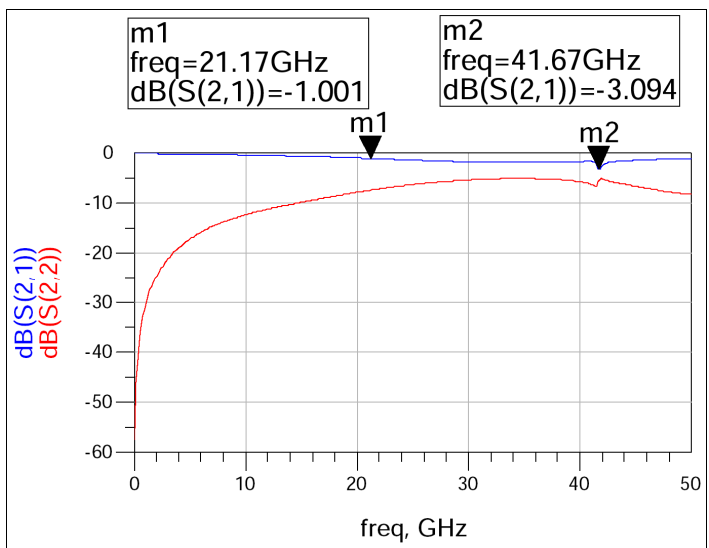
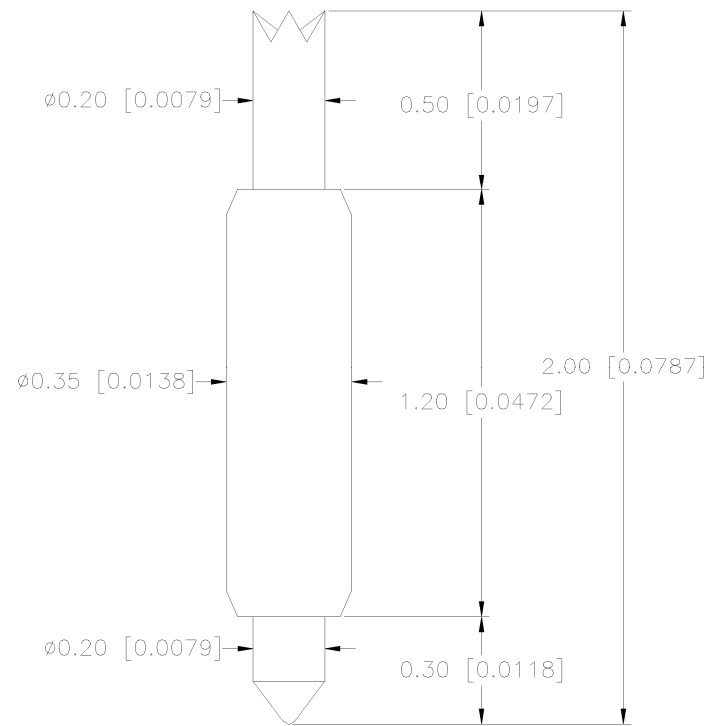


REV	DESCRIPTION	DATE	BY
A	NEW DRAWING	06/13/03	SC
B	UPDATED DWG, ADDED INFO	06/23/11	JAG

SKT1762  
DOD41762



**Mechanical**

- Typical Application: BGA
- Pitch Range (minimum): 0.20mm
- Spring Force: 18.0gf @ 0.30mm
- Recommended Travel: 0.30mm
- Full Travel: 0.40mm
- Temperature\*: -40 ~ 120 °C

**Electrical**

- Self Inductance: 0.80nH
- Mutual Capacitance: 0.51pF
- Bandwidth @-1dB: 21.0GHz
- Current Carrying Capability: 1.0A

**Material and Plating**

- Plunger-Top: Hardened BeCu / Au plated
- Plunger-Bottom: Hardened BeCu / Au plated
- Barrel: Phosphor Bronze / Au plated
- Spring: Music Wire / Au plated

MUTIND MUTIND MUTIND MUTIND MUTIND MUTIND

Mutual Mutual2 Mutual3 Mutual4 Mutual5 Mutual6

K=0.5 K=0.5 K=0.5 K=0.5 K=0.5 K=0.5

M= M= M= M= M= M=

Inductor1="L1" Inductor1="L1" Inductor1="L2" Inductor1="L2" Inductor1="L3" Inductor1="L3"

Inductor2="L4" Inductor2="L5" Inductor2="L4" Inductor2="L5" Inductor2="L4" Inductor2="L5"

S-PARAMETERS

S\_Param SP1 Start=45 MHz Stop=50 GHz Step=125 MHz

ALL DIMENSIONS ARE IN MILLIMETERS UNLESS OTHERWISE SPECIFIED

**EMULATION TECHNOLOGY, INC.**  
VLSI and SMT ADAPTERS and ACCESSORIES

759 FLYNN ROAD  
CAMARILLO, CA 93012  
TEL: (805) 383-8480  
FAX: (805) 383-8484

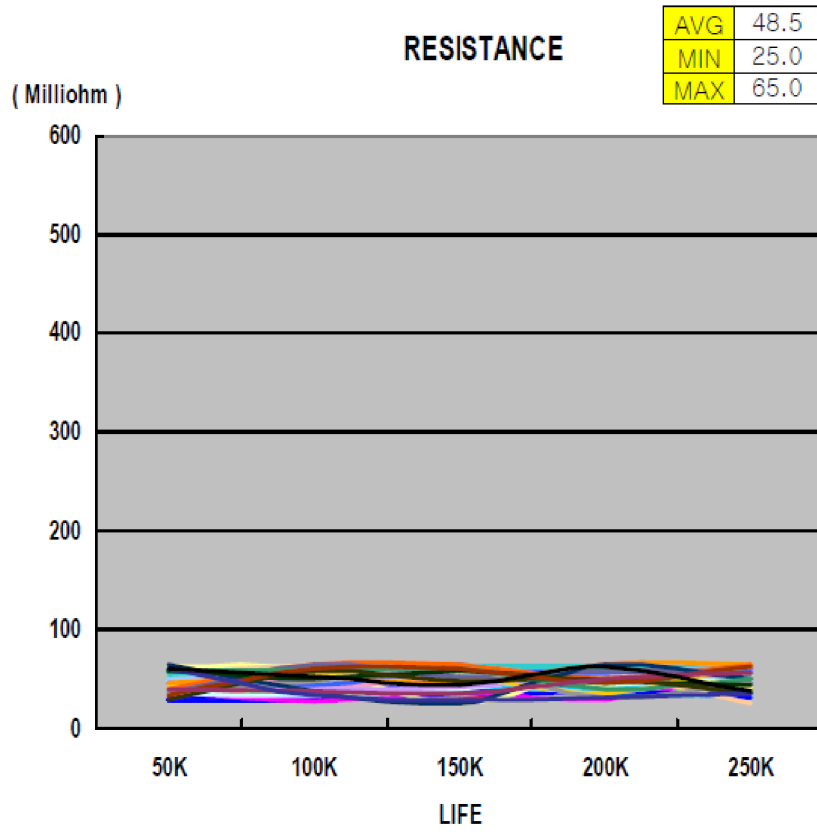
SHEET: 1 OF 2 DATE: 06/23/11 REVISION: B

CHECKED: PREPARED BY: J. GELACIO ITEM: ASSEMBLY DRAWING

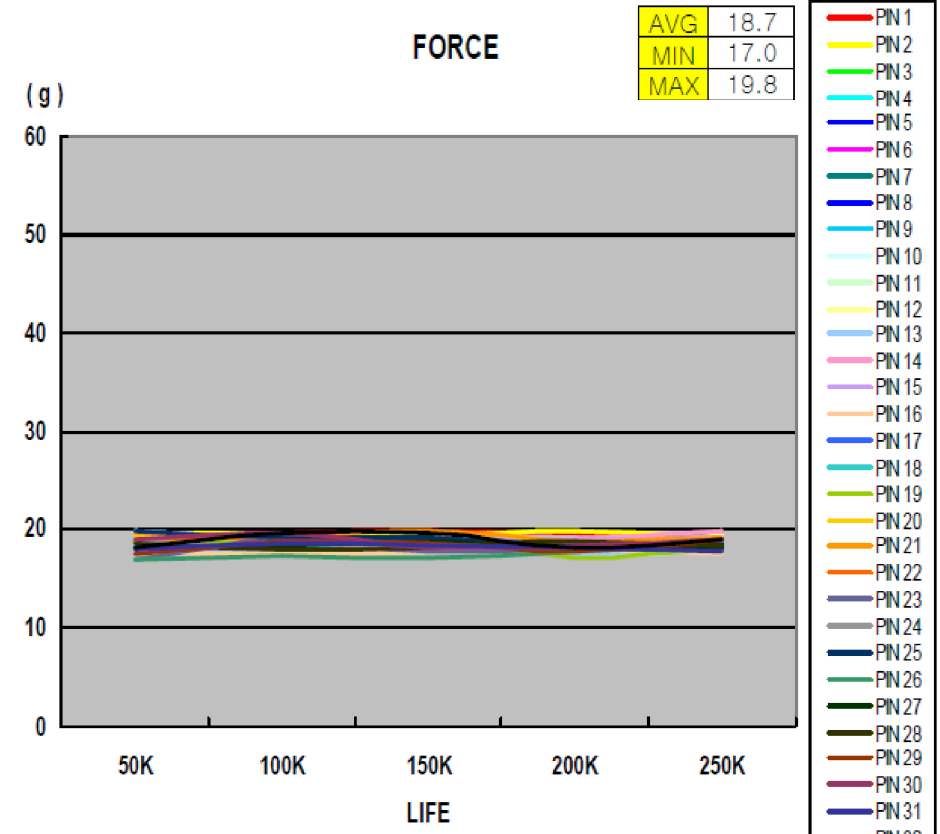
DESCRIPTION: POGO-PIN-2.00-1

DO NOT SCALE DRAWING

LIFE CYCLE TEST



- PIN 1
- PIN 2
- PIN 3
- PIN 4
- PIN 5
- PIN 6
- PIN 7
- PIN 8
- PIN 9
- PIN 10
- PIN 11
- PIN 12
- PIN 13
- PIN 14
- PIN 15
- PIN 16
- PIN 17
- PIN 18
- PIN 19
- PIN 20
- PIN 21
- PIN 22
- PIN 23
- PIN 24
- PIN 25
- PIN 26
- PIN 27
- PIN 28
- PIN 29
- PIN 30
- PIN 31
- PIN 32



- PIN 1
- PIN 2
- PIN 3
- PIN 4
- PIN 5
- PIN 6
- PIN 7
- PIN 8
- PIN 9
- PIN 10
- PIN 11
- PIN 12
- PIN 13
- PIN 14
- PIN 15
- PIN 16
- PIN 17
- PIN 18
- PIN 19
- PIN 20
- PIN 21
- PIN 22
- PIN 23
- PIN 24
- PIN 25
- PIN 26
- PIN 27
- PIN 28
- PIN 29
- PIN 30
- PIN 31
- PIN 32

ALL DIMENSIONS ARE IN MILLIMETERS UNLESS OTHERWISE SPECIFIED

	<b>EMULATION TECHNOLOGY, INC.</b>	
	VLSI and SMT ADAPTERS and ACCESSORIES	
759 FLYNN ROAD CAMARILLO, CA 93012		TEL: (805) 383-8480 FAX: (805) 383-8484
SHEET: 2 OF 2	DATE: 06/23/11	REVISION: <b>B</b>
CHECKED: _____		PREPARED BY: J. GELACIO
DO NOT SCALE DRAWING		ITEM: POGO-PIN-2.00-1
		DESCRIPTION: POGO-PIN-2.00-1