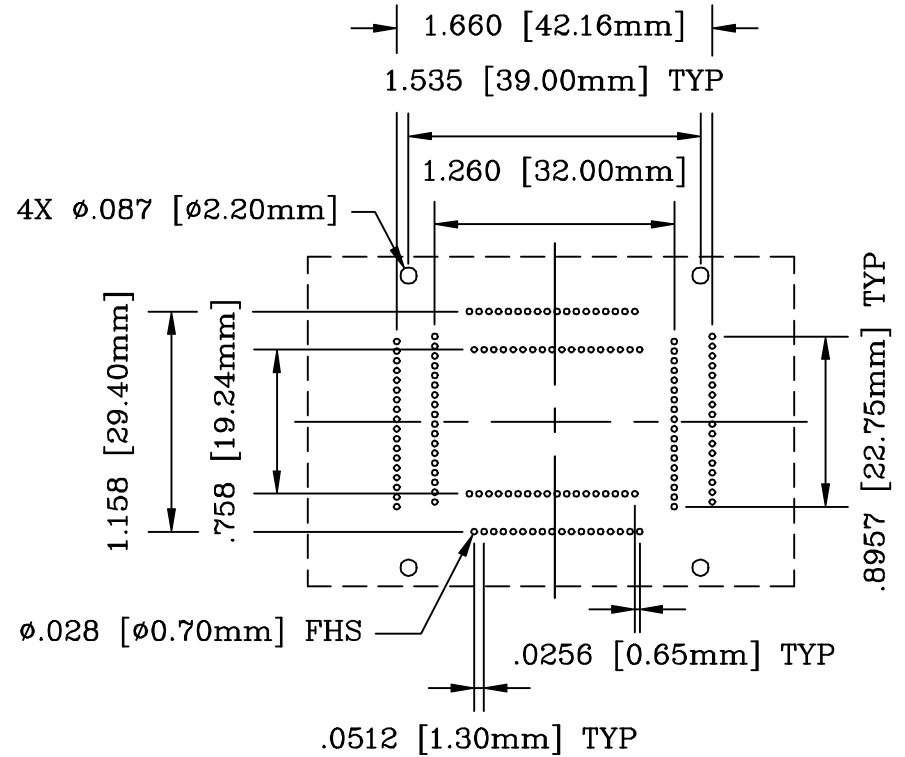
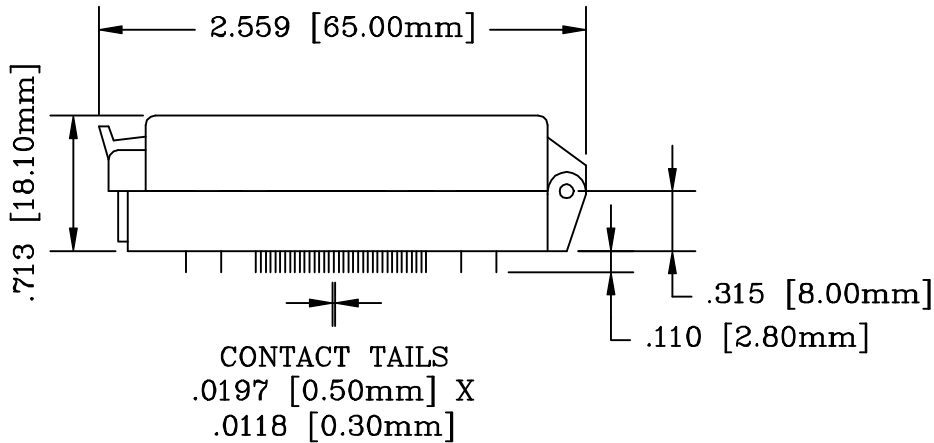
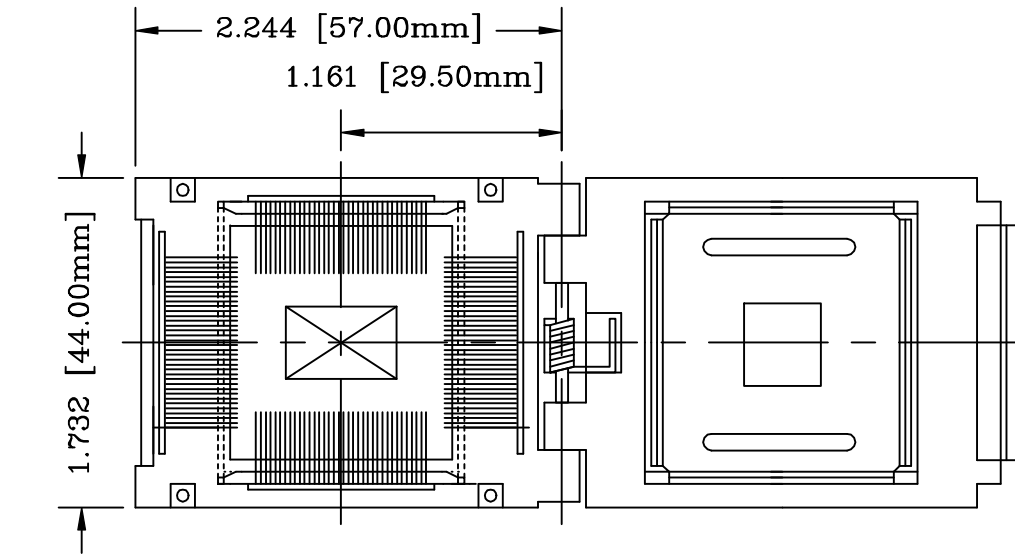


REV	DESCRIPTION	DATE	BY
A	NEW DRAWING	03/18/03	H.N.

SKT1708
DOD 41708



RECOMMENDED PCB LAYOUT
AS SEEN FROM TOP OF SOCKET

PACKAGE SPECIFICATIONS	
PIN COUNT	≡ 144
LEAD PITCH	≡ 0.65mm
PACKAGE SIZE	≡ 28.00mm
TIP TO TIP	≡ 31.90mm

ALL DIMENSIONS ARE IN INCHES UNLESS OTHERWISE SPECIFIED



Emulation Technology, Inc.

— VLSI and SMT ADAPTERS and ACCESSORIES —

2344 Walsh Avenue, Bldg.F TEL:(408)982-0660
Santa Clara, Ca 95051 FAX:(408)982-0664

SHEET: 1 OF 1	DATE: 03/18/03	REVISION: A	ASSEMBLY DRAWING
CHECKED: Perry Munroe	DRAWN: Hanh Nguyen	⊙ ◁	ITEM: S-QFP-00-144-B2
Scale 1:1	DO NOT SCALE DRAWING	DESCRIPTION: S-QFP-00-144-B2	