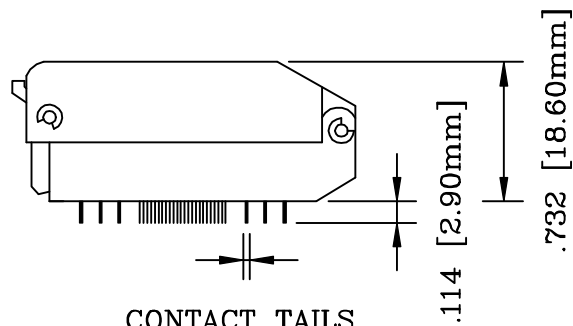
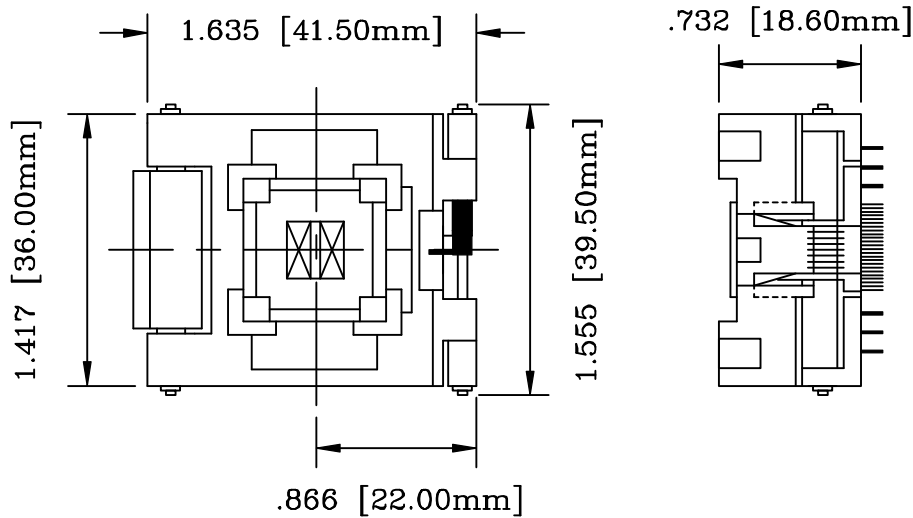
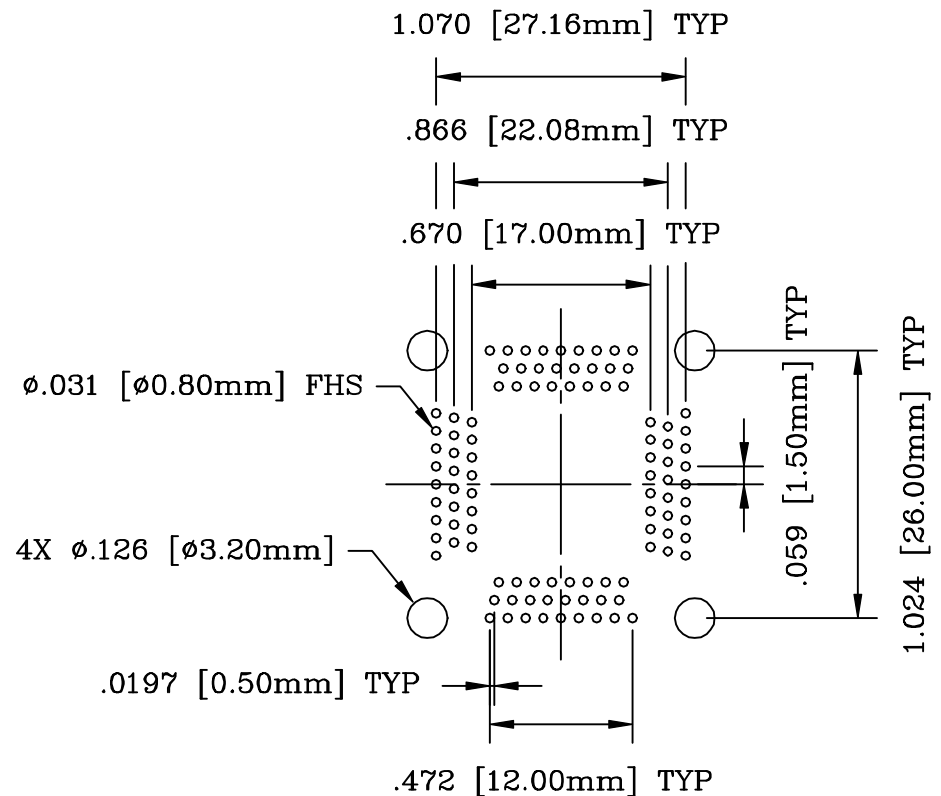


REV	DESCRIPTION	DATE	BY
A	NEW DRAWING	04/30/03	H.N.

SKT1659  
DOD 41659



CONTACT TAILS  
.0197 [0.50mm] X  
.0098 [0.25mm]



RECOMMENDED PCB LAYOUT  
AS SEEN FROM TOP OF SOCKET

PACKAGE SPECIFICATIONS	
PIN COUNT	= 100
LEAD PITCH	= 0.50mm
PACKAGE SIZE	= 14.00mm SQ
TIP TO TIP	= 16.60/16.90mm

ALL DIMENSIONS ARE IN INCHES UNLESS OTHERWISE SPECIFIED



**Emulation Technology, Inc.**

— VLSI and SMT ADAPTERS and ACCESSORIES —

2344 Walsh Avenue, Bldg.F  
Santa Clara, Ca 95051  
TEL:(408)982-0660  
FAX:(408)982-0664

SHEET: 1 OF 1	DATE: 04/30/03	REVISION: A	<b>ASSEMBLY DRAWING</b>
CHECKED: Perry Munroe	DRAWN: Hanh Nguyen	ITEM: S-QFP-00-100-L	
Scale 1:1	DO NOT SCALE DRAWING	DESCRIPTION: S-QFP-00-100-L	