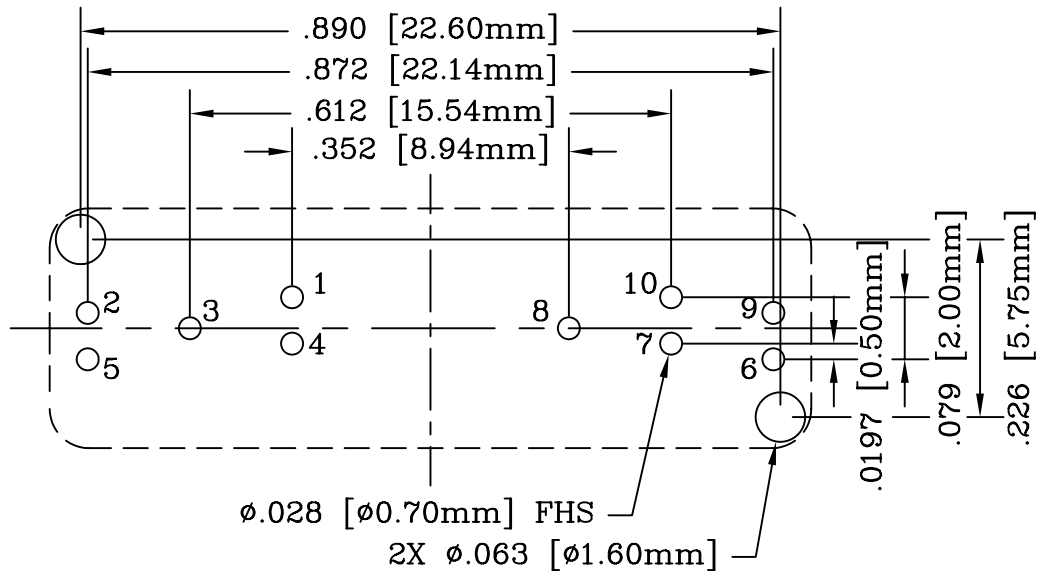
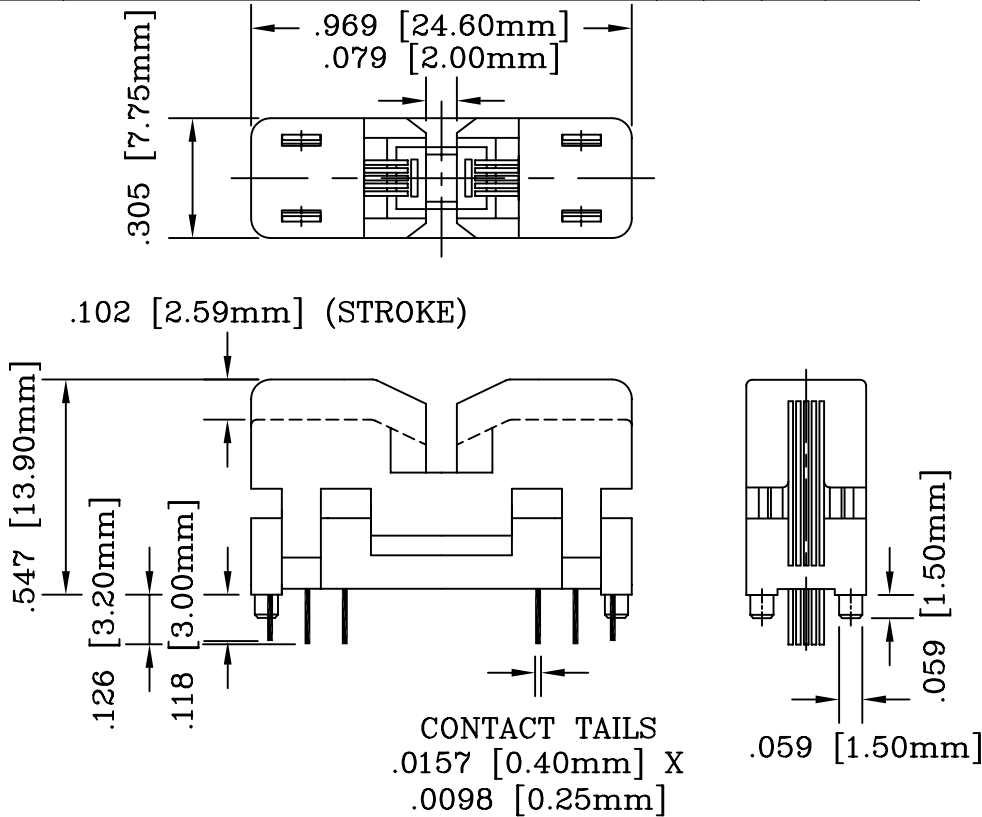


REV	DESCRIPTION	DATE	BY
A	NEW DRAWING	10/01/02	H.N.
B	ADDED PIN OUT	06/06/07	H.N.

SKT1590

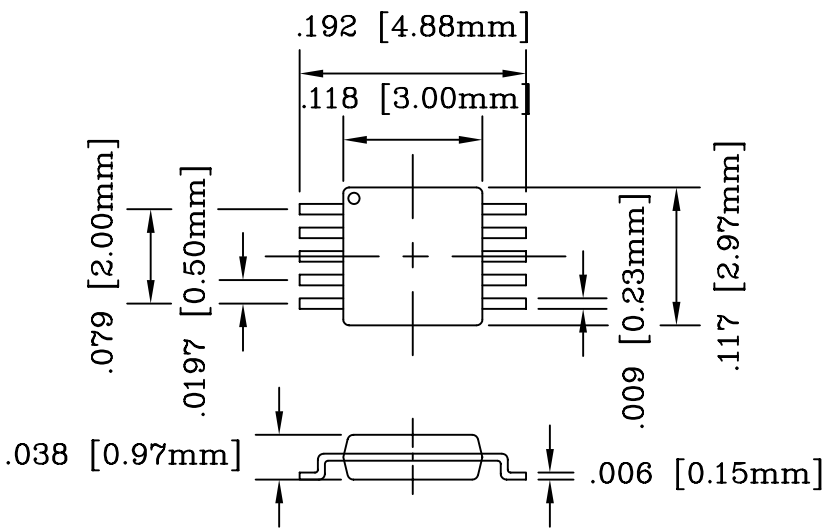


RECOMMENDED PCB LAYOUT  
AS SEEN FROM TOP OF SOCKET

PACKAGE SPECIFICATIONS	
PIN COUNT	= 10
LEAD PITCH	= 0.50mm
PACKAGE WIDTH	= 3.00mm
ET PACKAGE CODE	= 10-ST35

NOTES:

1. DIELECTRIC WITHSTANDING VOLTAGE: 600V.A.C (RMS)
2. CONTACT RESISTANCE: 30M $\Omega$  MAX. AT 20MV MAX.
3. TEMPERATURE RANGE: -40°C ~ +150°C
4. INSULATION RESISTANCE: 1000M $\Omega$  MIN. AT 500V.D.C



RECOMMENDED IC (REF)

ALL DIMENSIONS ARE IN INCHES UNLESS OTHERWISE SPECIFIED

**Emulation Technology, Inc.**  
— VLSI and SMT ADAPTERS and ACCESSORIES —

2344 Walsh Avenue, Bldg.F  
Santa Clara, Ca 95051

TEL:(408)982-0660  
FAX:(408)982-0664

SHEET: 1 OF 1	DATE: 10/01/02	REVISION: B	<b>ASSEMBLY DRAWING</b>
CHECKED:	DRAWN: H.N.		ITEM: S-SS0-00-010-A
Scale N/A	DO NOT SCALE DRAWING		DESCRIPTION: S-SS0-00-010-A