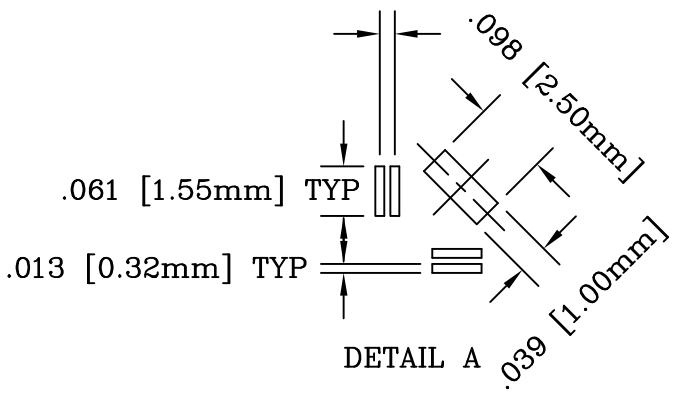
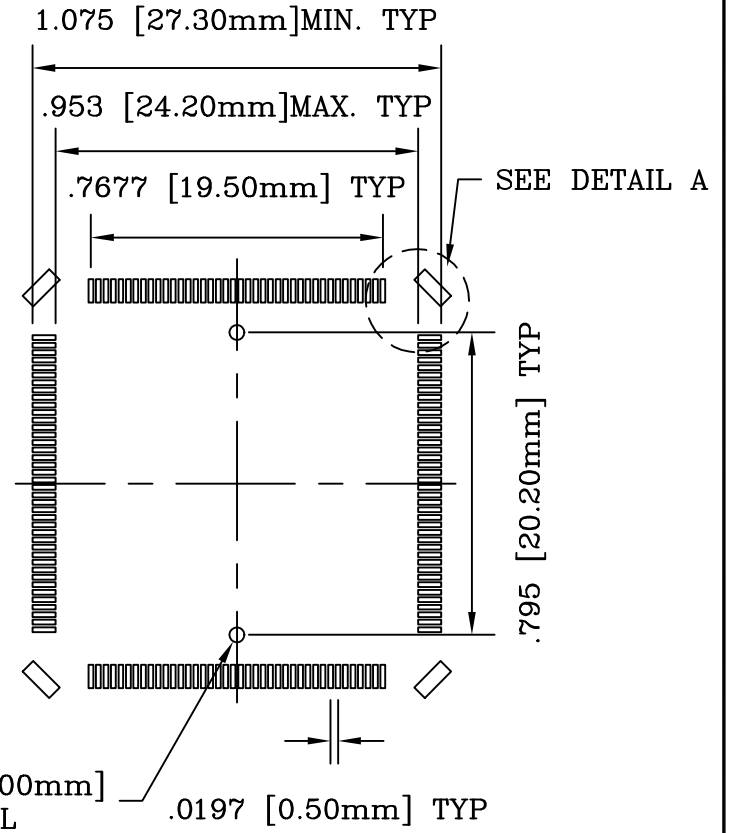
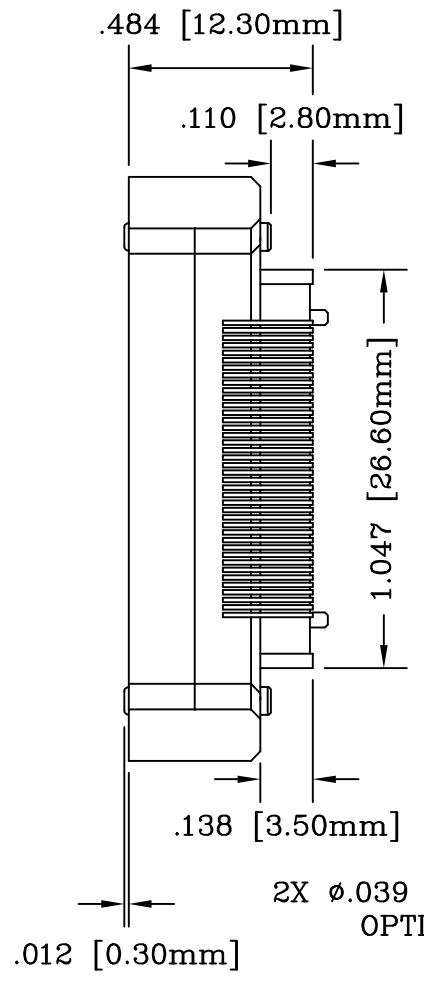
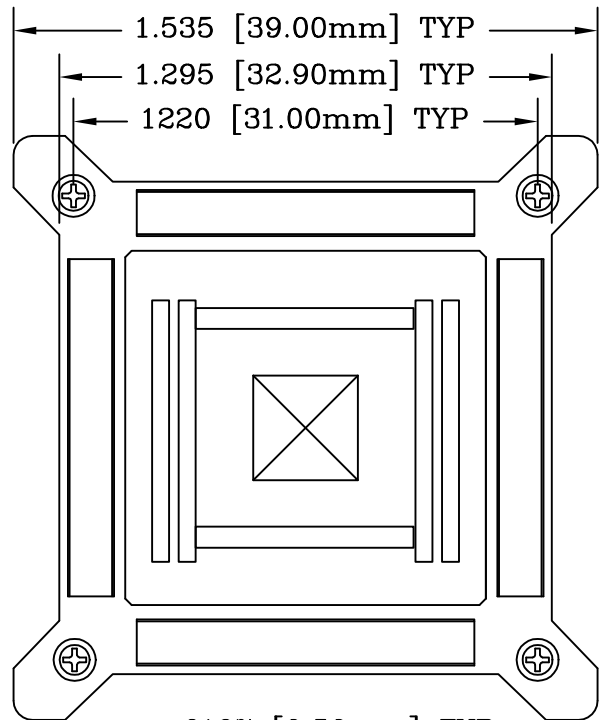


REV	DESCRIPTION	DATE	BY
A	NEW DRAWING	08/19/02	H.N.

SKT1570
DOD 41570



2X ϕ .039 [ϕ 1.00mm]
OPTIONAL

RECOMMENDED PCB LAYOUT
AS SEEN FROM TOP OF SOCKET

PACKAGE SPECIFICATIONS	
PIN COUNT	≡ 160
LEAD PITCH	≡ 0.50mm
PACKAGE SIZE	≡ 24.00mm SQ
TIP TO TIP	≡ 26.00mm SQ
ET PACKAGE CODE	≡ 160-QF48

ALL DIMENSIONS ARE IN INCHES UNLESS OTHERWISE SPECIFIED

Emulation Technology, Inc.
— VLSI and SMT ADAPTERS and ACCESSORIES —

2344 Walsh Avenue, Bldg.F Santa Clara, Ca 95051
TEL:(408)982-0660 FAX:(408)982-0664

SHEET: 1 OF 1	DATE: 08/19/02	REVISION: A	ASSEMBLY DRAWING
CHECKED: Perry Munroe	DRAWN: Huy Nguyen	ITEM: S-QFP-SM-160-B	
Scale 1:2	DO NOT SCALE DRAWING	DESCRIPTION: S-QFP-SM-160-B	