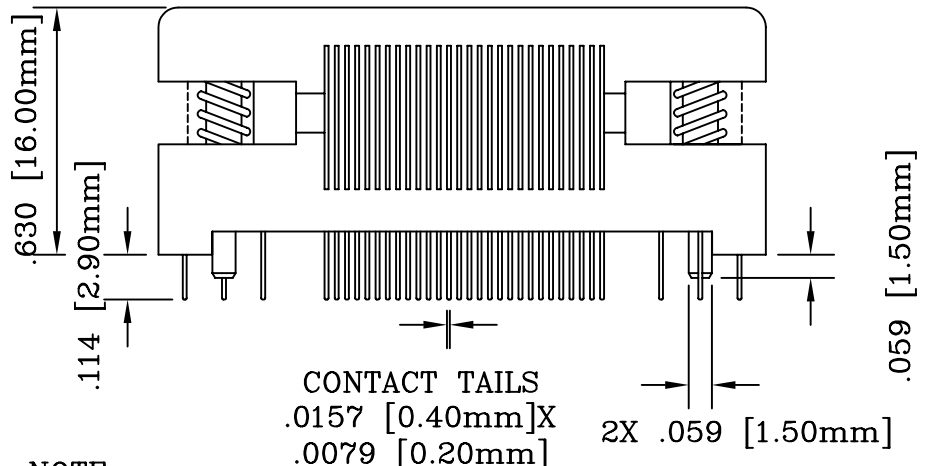
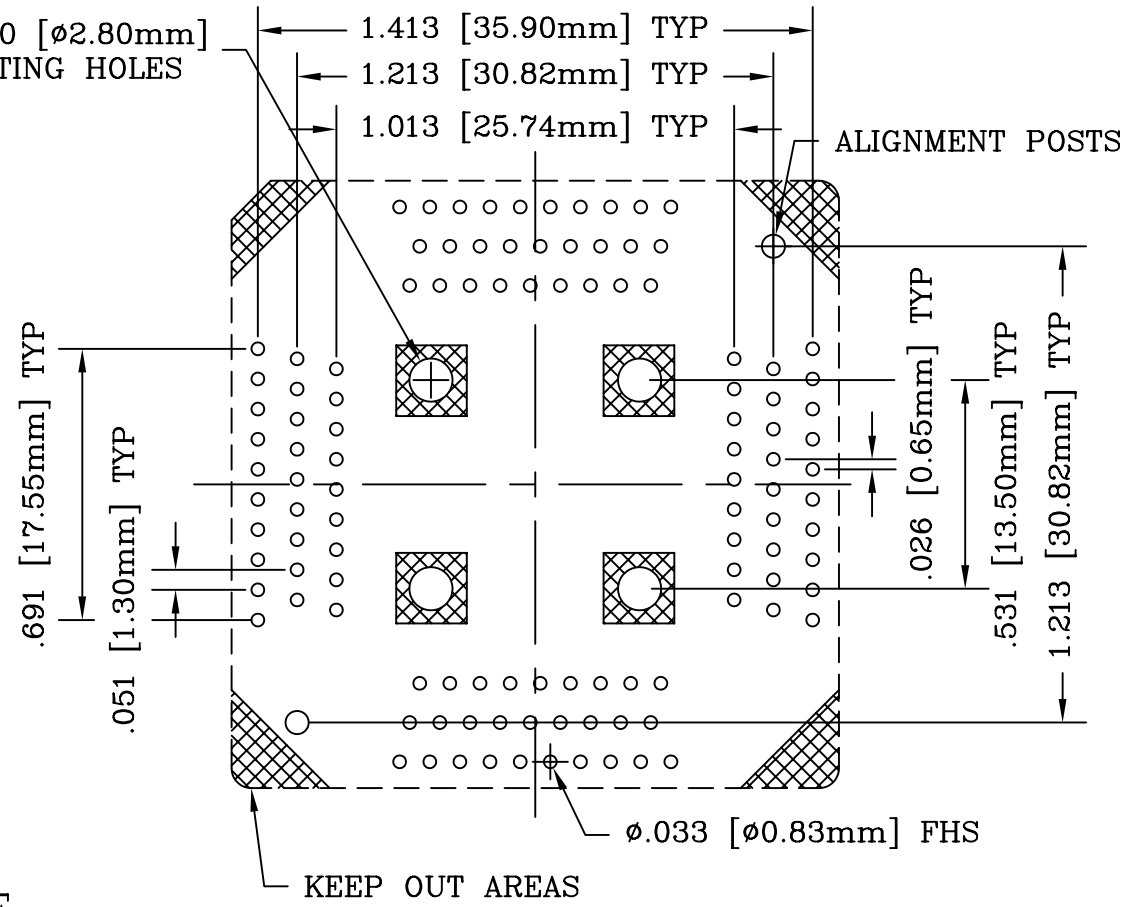
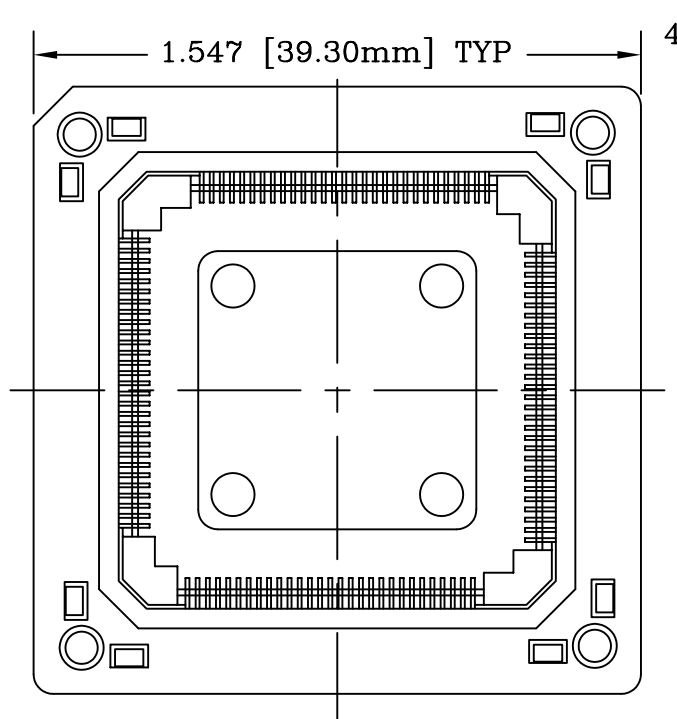


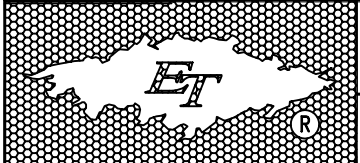
REV	DESCRIPTION	DATE	BY
A	NEW DRAWING	03/25/02	H.N.
B	ADDED PACKAGE CODE	11/09/06	H.N.

SKT1520



RECOMMENDED PCB LAYOUT  
AS SEEN FROM TOP OF SOCKET

ALL DIMENSIONS ARE IN INCHES UNLESS OTHERWISE SPECIFIED



**Emulation Technology, Inc.**  
— VLSI and SMT ADAPTERS and ACCESSORIES —  
2344 Walsh Avenue, Bldg.F  
Santa Clara, Ca 95051  
TEL:(408)982-0660  
FAX:(408)982-0664

NOTE:  
PFINODAL CONTACT PLATING

PACKAGE SPECIFICATIONS	
PIN COUNT	= 112
LEAD PITCH	= 0.65mm
PACKAGE SIZE	= 20.00 X 20.00mm
TIP TO TIP	= 22.00mm
ET PACKAGE CODE	= 112-QF36D

SHEET: 1 OF 1	DATE: 03/25/02	REVISION: B	<b>ASSEMBLY DRAWING</b>
CHECKED: Perry Munroe	DRAWN: Huy Nguyen	ITEM: S-QFP-00-112-D	
Scale 2:1	DO NOT SCALE DRAWING	DESCRIPTION: S-QFP-00-112-D	