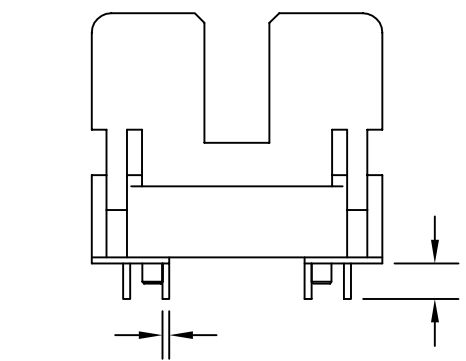
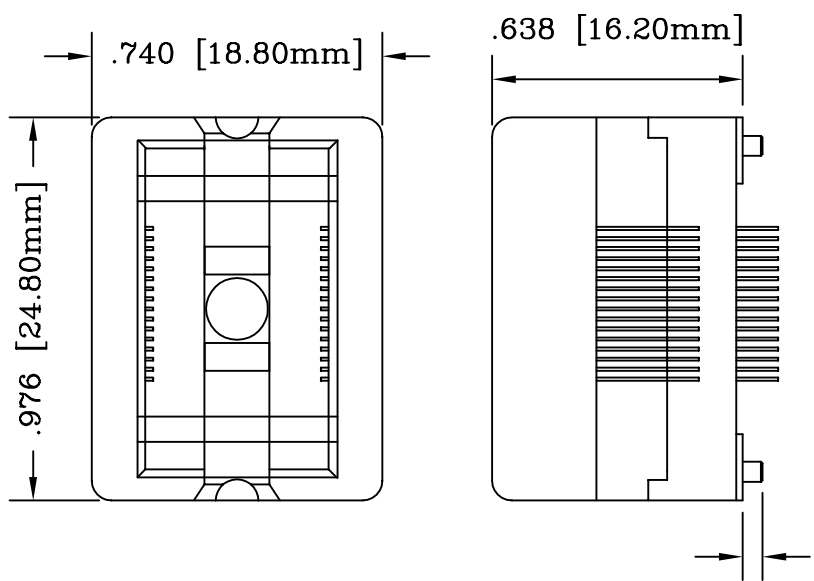


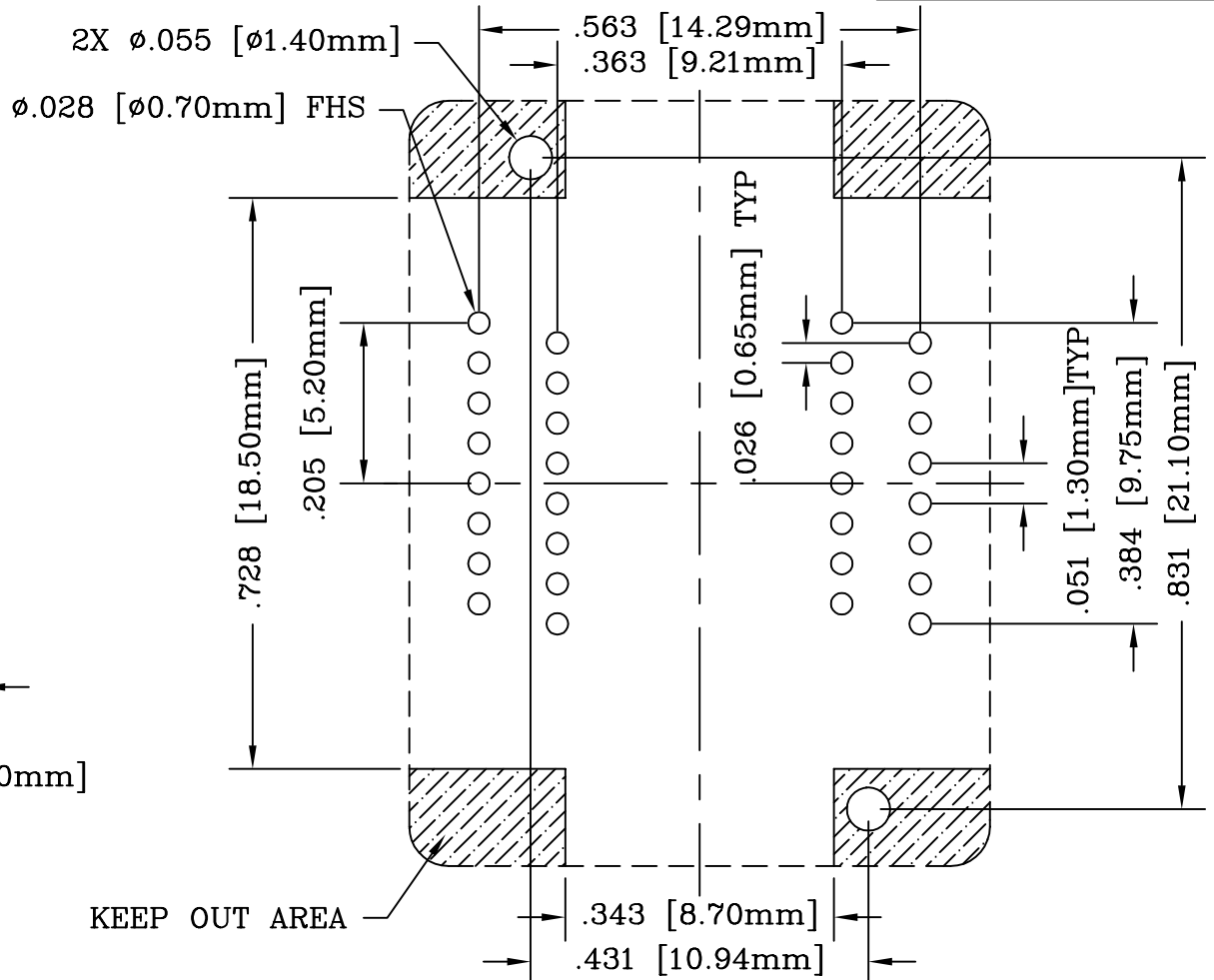
REV	DESCRIPTION	DATE	BY
A	NEW DRAWING	01/24/02	H.N.

SCALE 4:1

SKT1491
DOD 41491



CONTACT TAILS
.0098 [0.25mm] X
.0177 [0.45mm]



RECOMMENDED PCB LAYOUT
AS SEEN FROM TOP OF SOCKET

ALL DIMENSIONS ARE IN INCHES UNLESS OTHERWISE SPECIFIED



Emulation Technology, Inc.
— VLSI and SMT ADAPTERS and ACCESSORIES —
2344 Walsh Avenue, Bldg.F Santa Clara, Ca 95051
TEL:(408)982-0660 FAX:(408)982-0664

PACKAGE SPECIFICATIONS	
PIN COUNT	= 32
LEAD PITCH	= 0.65mm
PACKAGE WIDTH	= 7.62mm

SHEET: 1 OF 1	DATE: 01/24/02	REVISION: A	ASSEMBLY DRAWING
CHECKED: Perry Munroe	DRAWN: Huy Nguyen	ITEM: S-SS0-00-032-A	
Scale 2:1	DO NOT SCALE DRAWING	DESCRIPTION: S-SS0-00-032-A	