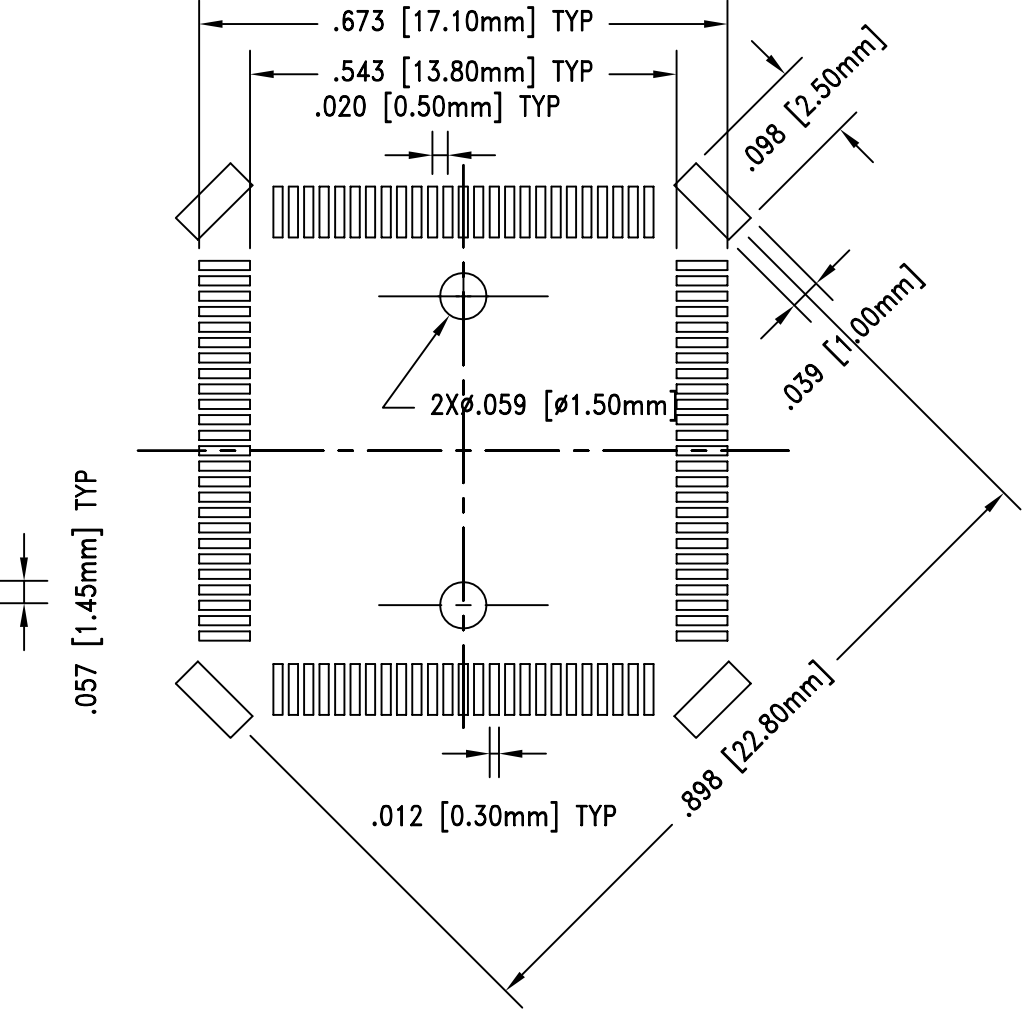
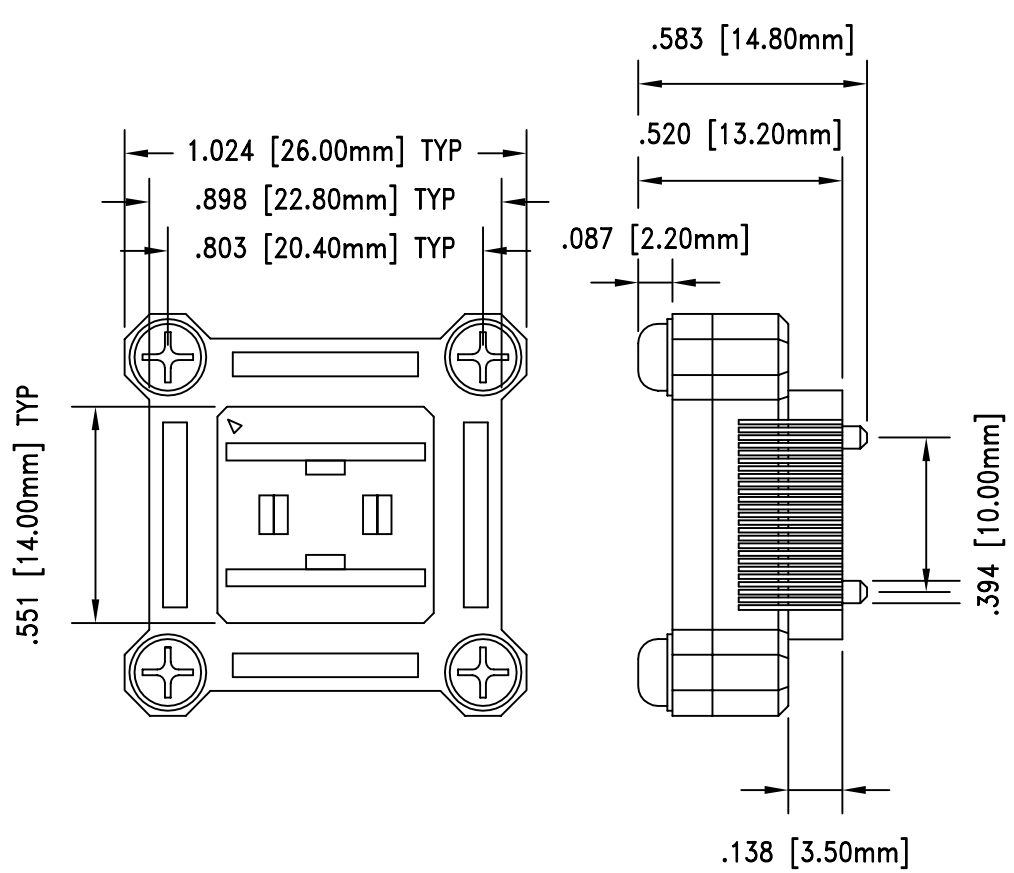


REV	DESCRIPTION	DATE	BY
A	NEW DRAWING	11/19/01	H.N.
B	ADDED NOTE	02/21/02	H.N.

SKT1473
DOD 41473



SCALE 2:1

NOTE:
INCLUDES BOTTOM POSITIONING PINS

PACKAGE SPECIFICATIONS	
PIN COUNT	= 100
LEAD PITCH	= 0.50mm
GRID SIZE	= 25x4
CHIP SIZE	= 14.00mm

RECOMMENDED SMT LAYOUT

ALL DIMENSIONS ARE IN INCHES UNLESS OTHERWISE SPECIFIED

Emulation Technology, Inc.
 — VLSI and SMT ADAPTERS and ACCESSORIES —

2344 Walsh Avenue, Bldg. F
 Santa Clara, Ca 95051

TEL:(408)982-0660
 FAX:(408)982-0664

SHEET: 1 OF 1	DATE: 02/21/02	REVISION: B	ASSEMBLY DRAWING
CHECKED: Perry Munroe	DRAWN: Huy Nguyen	ITEM: S-QFP-SM-100-B2	
DO NOT SCALE DRAWING			DESCRIPTION: S-QFP-SM-100-B2