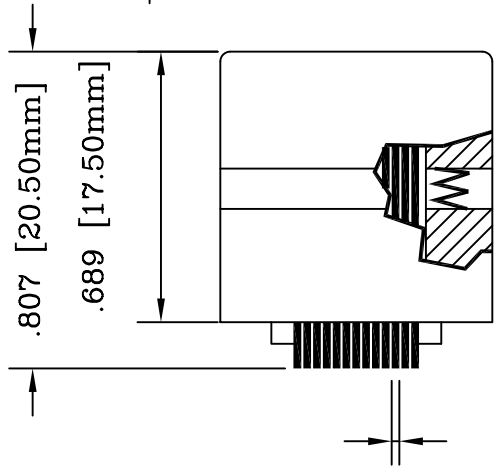
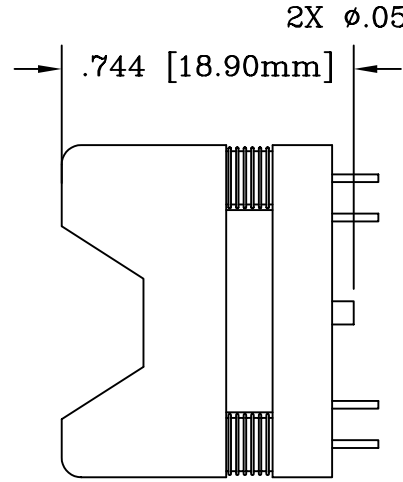
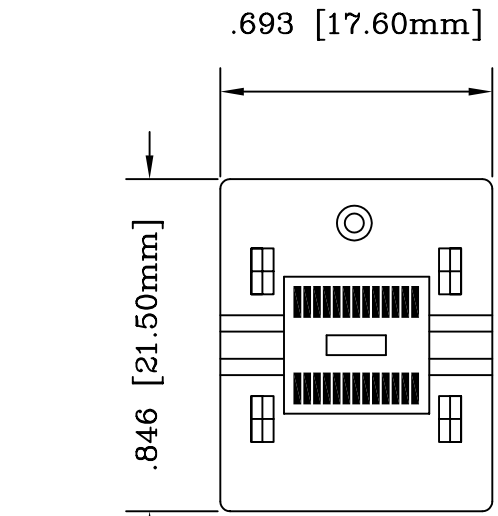


REV	DESCRIPTION	DATE	BY
A	NEW DRAWING	10/23/01	H.N.
B	ADDED PIN #1 LOCATION	05/12/06	H.N.

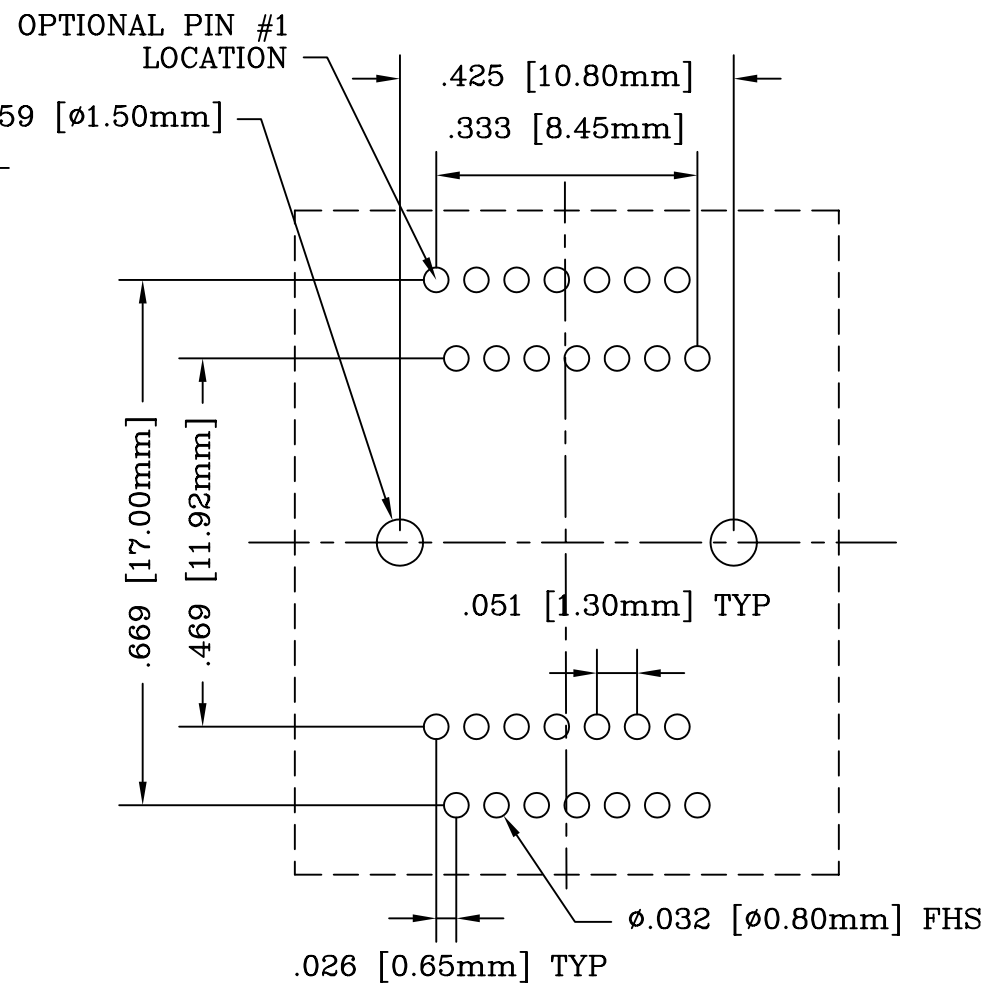
SKT1458



CONTACT TAILS
.0118 [0.30mm] X
.0197 [0.50mm]

SCALE 2:1

PACKAGE SPECIFICATIONS	
PIN COUNT	≡ 28
LEAD PITCH	≡ 0.65mm
PACKAGE WIDTH	≡ 4.4mm



RECOMMENDED PCB LAYOUT
AS SEEN FROM TOP OF SOCKET

ALL DIMENSIONS ARE IN INCHES UNLESS OTHERWISE SPECIFIED

	Emulation Technology, Inc. — VLSI and SMT ADAPTERS and ACCESSORIES —	
	2344 Walsh Avenue, Bldg. F Santa Clara, Ca 95051	TEL:(408)982-0660 FAX:(408)982-0664

SHEET: 1 OF 1	DATE: 10/23/01	REVISION: B	ASSEMBLY DRAWING
CHECKED: Perry Munroe	DRAWN: Huy Nguyen	ITEM: S-SS0-00-028-E	
DO NOT SCALE DRAWING			DESCRIPTION: S-SS0-00-028-E