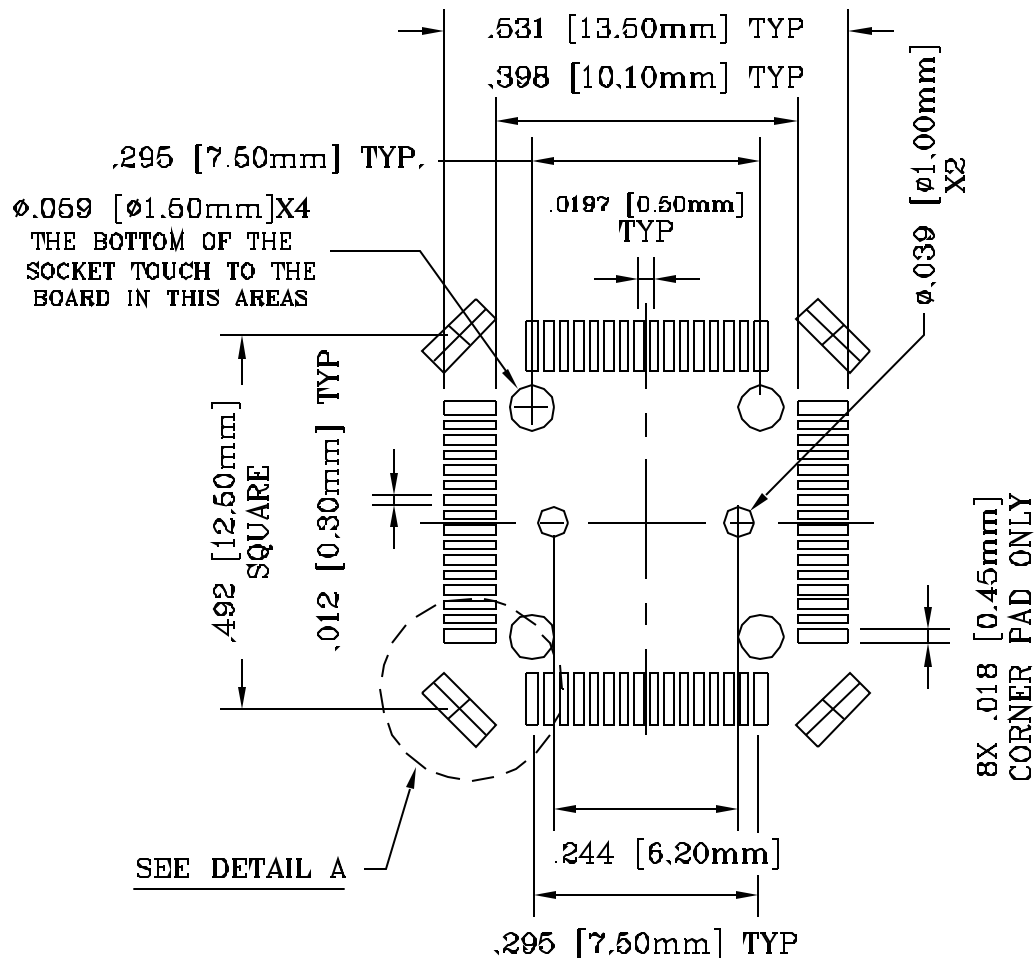
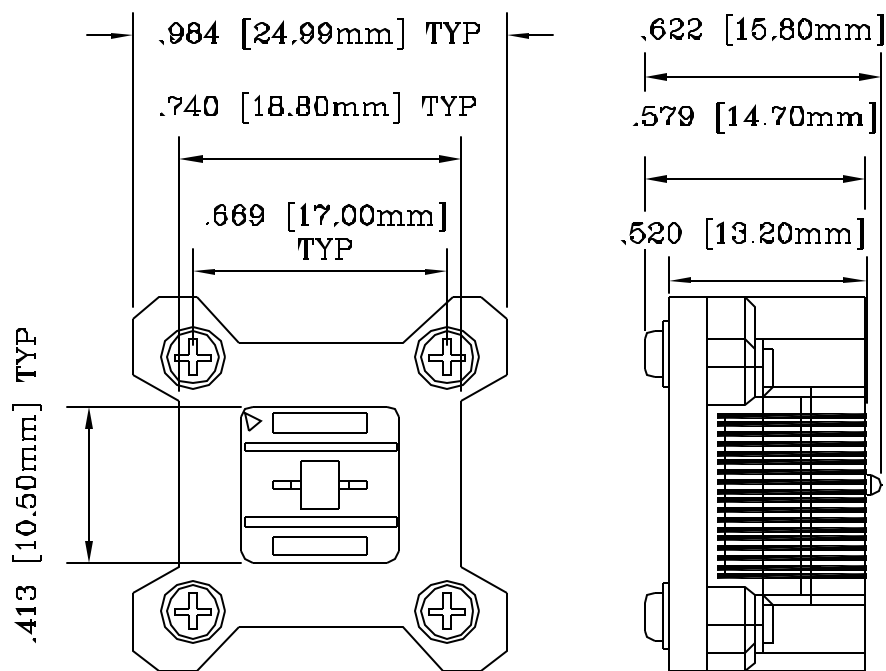


REV	DESCRIPTION	DATE	BY
A	NEW DRAWING	09/18/01	H.N.
B	UPDATED PACKAGE SIZE	04/12/02	H.N.

SKT1422

DOD 41422

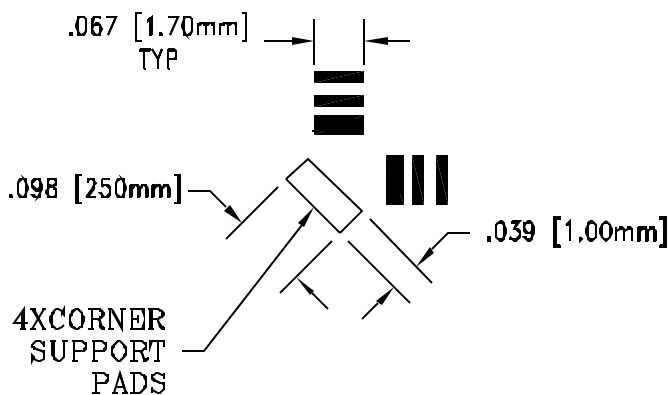
SCALE 2:1



RECOMMENDED PCB LAYOUT

ALL DIMENSIONS ARE IN INCHES UNLESS OTHERWISE SPECIFIED

	Emulation Technology, Inc. — VLSI and SMT ADAPTERS and ACCESSORIES —	
	2344 Walsh Avenue, Bldg. F Santa Clara, Ca 95051	TEL: (408)982-0660 FAX: (408)982-0664



DETAIL A

PACKAGE SPECIFICATIONS	
PIN COUNT	≡ 64
LEAD PITCH	≡ 0.50mm
PACKAGE SIZE	≡ 10.00mm SQUARE
TIP TO TIP	≡ 12.00mm SQUARE

SHEET: 1 OF 1	DATE: 04/12/02	REVISION: B	ASSEMBLY DRAWING
CHECKED: Perry Munroe	DRAWN: Huy Nguyen	ITEM: S-QFP-SM-064-C	DESCRIPTION: S-QFP-SM-064-C
DO NOT SCALE DRAWING			