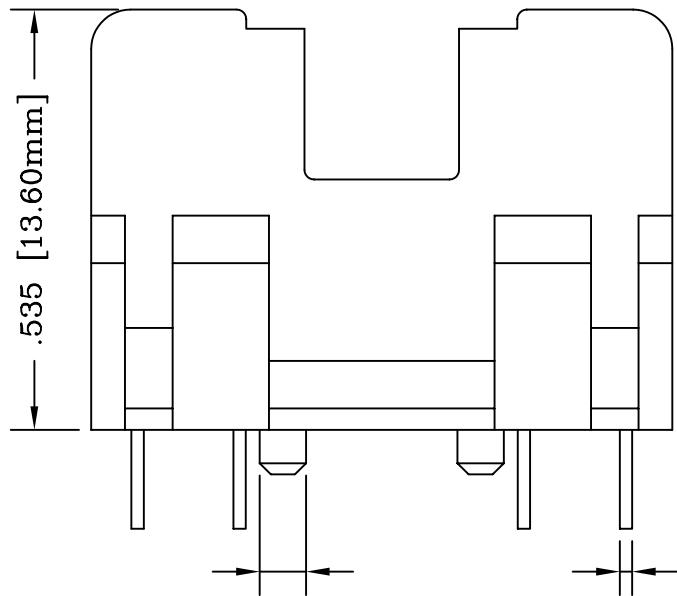
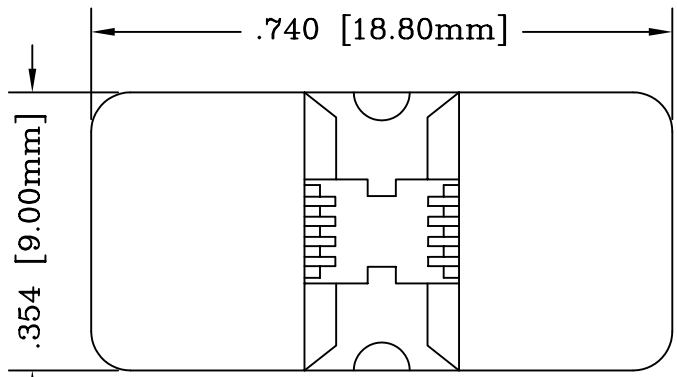


REV	DESCRIPTION	DATE	BY
A	NEW DRAWING	7/26/01	A.F.
B	UPDATED DIMENSIONS	01/06/06	H.N.

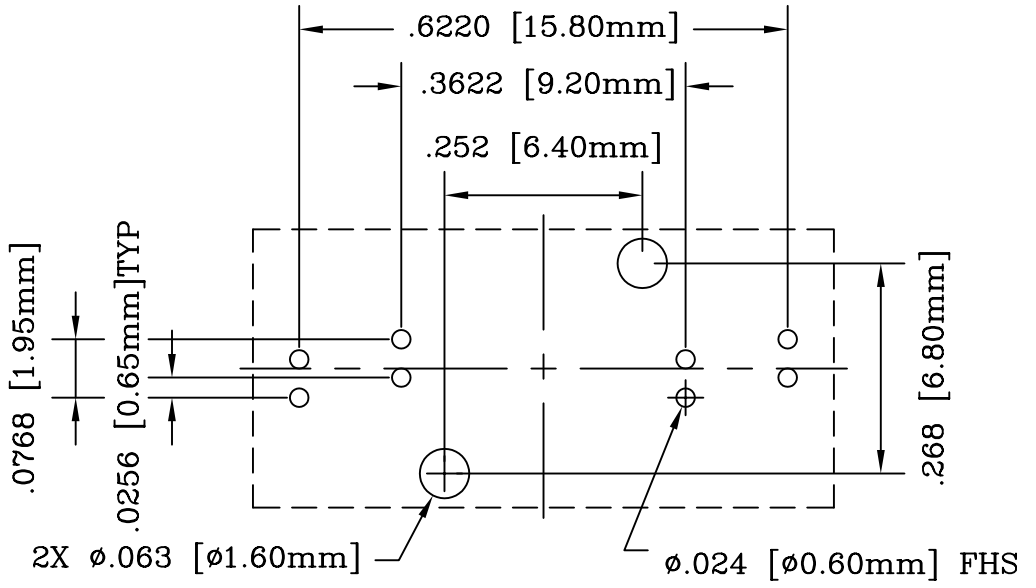
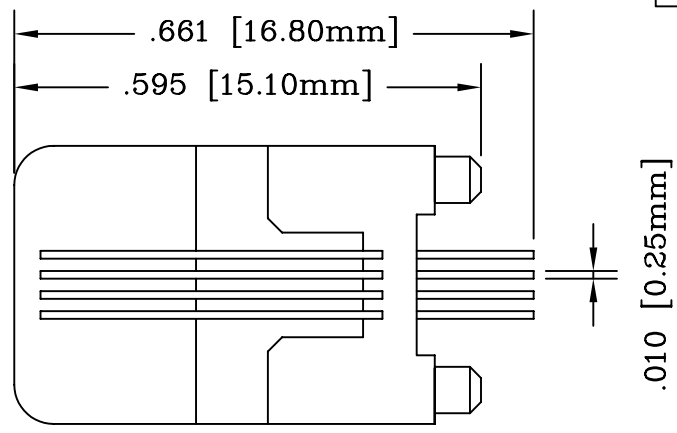
SKT1393



$\phi$ .059 [ $\phi$ 1.50mm]      .016 [0.40mm]

SCALE 4:1

PACKAGE SPECIFICATIONS	
PIN COUNT	= 8
LEAD PITCH	= 0.65mm
PACKAGE WIDTH	= 3.00mm
ET PACKAGE CODE	= 8-ST36



RECOMMENDED PCB LAYOUT  
AS SEEN FROM TOP OF SOCKET

ALL DIMENSIONS ARE IN INCHES UNLESS OTHERWISE SPECIFIED

	<b>Emulation Technology, Inc.</b> — VLSI and SMT ADAPTERS and ACCESSORIES —	
	2344 Walsh Avenue, Bldg. F Santa Clara, Ca 95051	TEL:(408)982-0660 FAX:(408)982-0664
SHEET: 1 OF 1	DATE: 7/29/01	REVISION: B
CHECKED: Perry Munroe	DRAWN: Aaron Fine	<b>ASSEMBLY DRAWING</b>
DO NOT SCALE DRAWING		ITEM: S-SSO-00-008-A DESCRIPTION: S-SSO-00-008-A