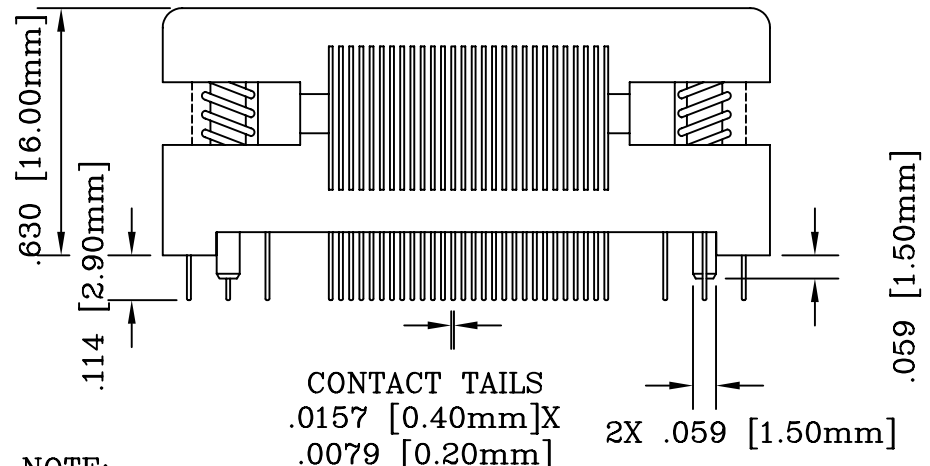
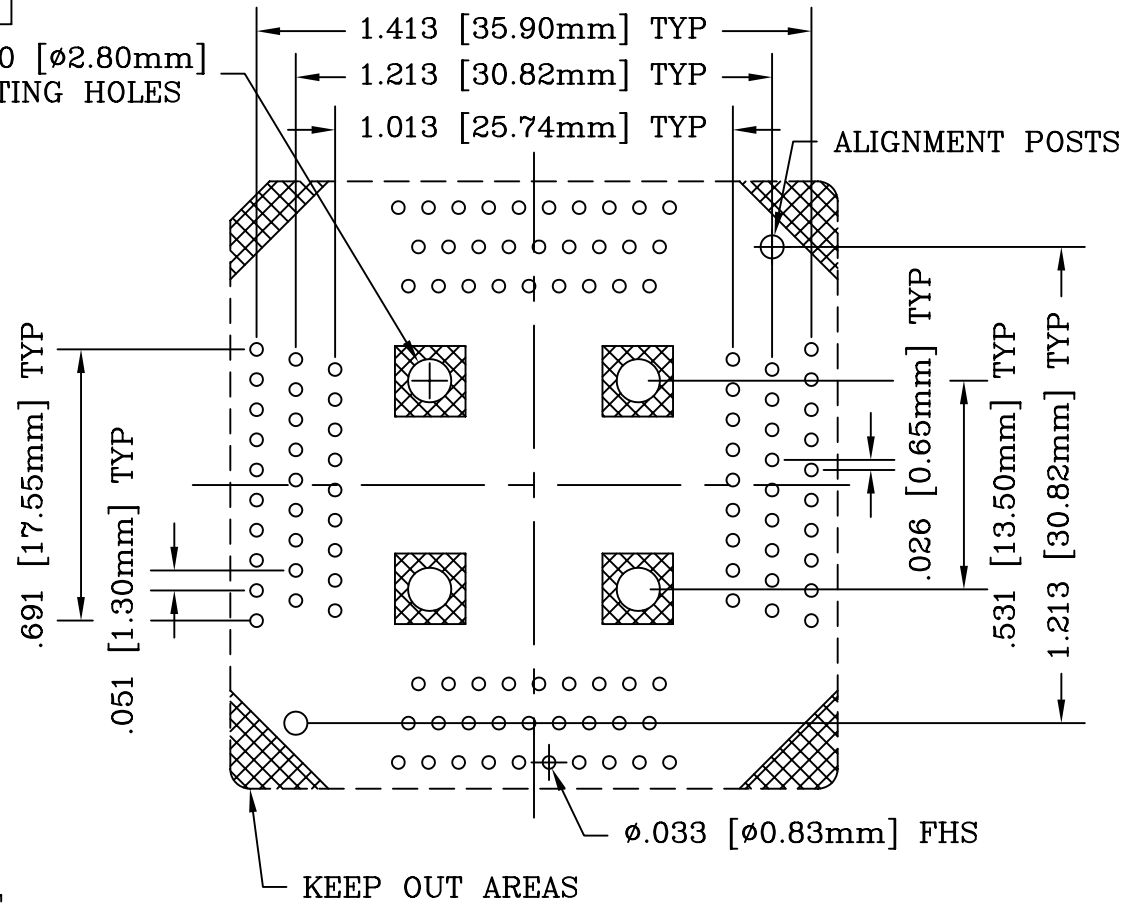
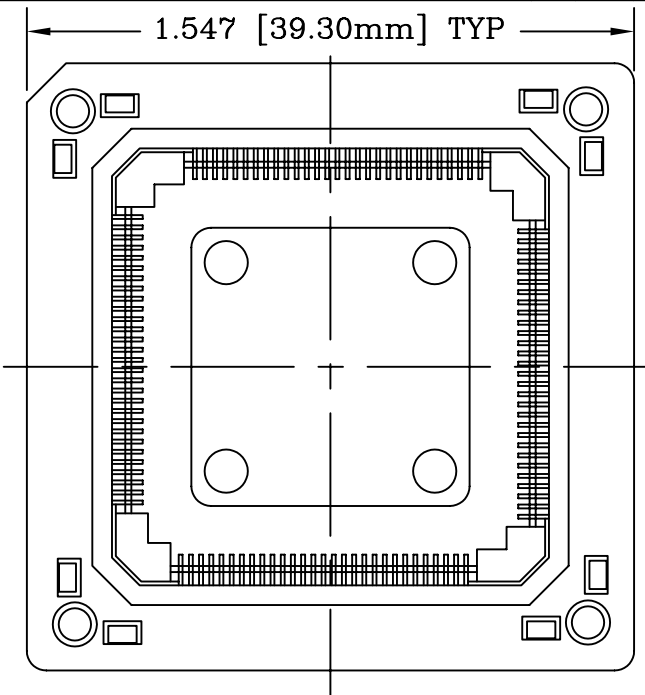


REV	DESCRIPTION	DATE	BY
A	NEW DRAWING	06/20/01	H.N.
B	ADDED NOTE	03/25/02	H.N.
C	ADDED PACKAGE CODE	11/09/06	H.N.

SCALE 2:1

SKT1377



RECOMMENDED PCB LAYOUT
AS SEEN FROM TOP OF SOCKET

ALL DIMENSIONS ARE IN INCHES UNLESS OTHERWISE SPECIFIED

	Emulation Technology, Inc. — VLSI and SMT ADAPTERS and ACCESSORIES —	
	2344 Walsh Avenue, Bldg. F Santa Clara, Ca 95051	TEL:(408)982-0660 FAX:(408)982-0664

NOTE:
BERYLLIUM COPPER CONTACT PLATING

PACKAGE SPECIFICATIONS	
PIN COUNT	= 112
LEAD PITCH	= 0.65mm
PACKAGE SIZE	= 20.00 X 20.00mm
TIP TO TIP	= 22.00mm
ET PACKAGE CODE	= 112-QF36D

SHEET: 1 OF 1	DATE: 03/25/02	REVISION: C	ASSEMBLY DRAWING
CHECKED: Perry Munroe	DRAWN: Huy Nguyen	ITEM: S-QFP-00-112-B	
DO NOT SCALE DRAWING			DESCRIPTION: S-QFP-00-112-B