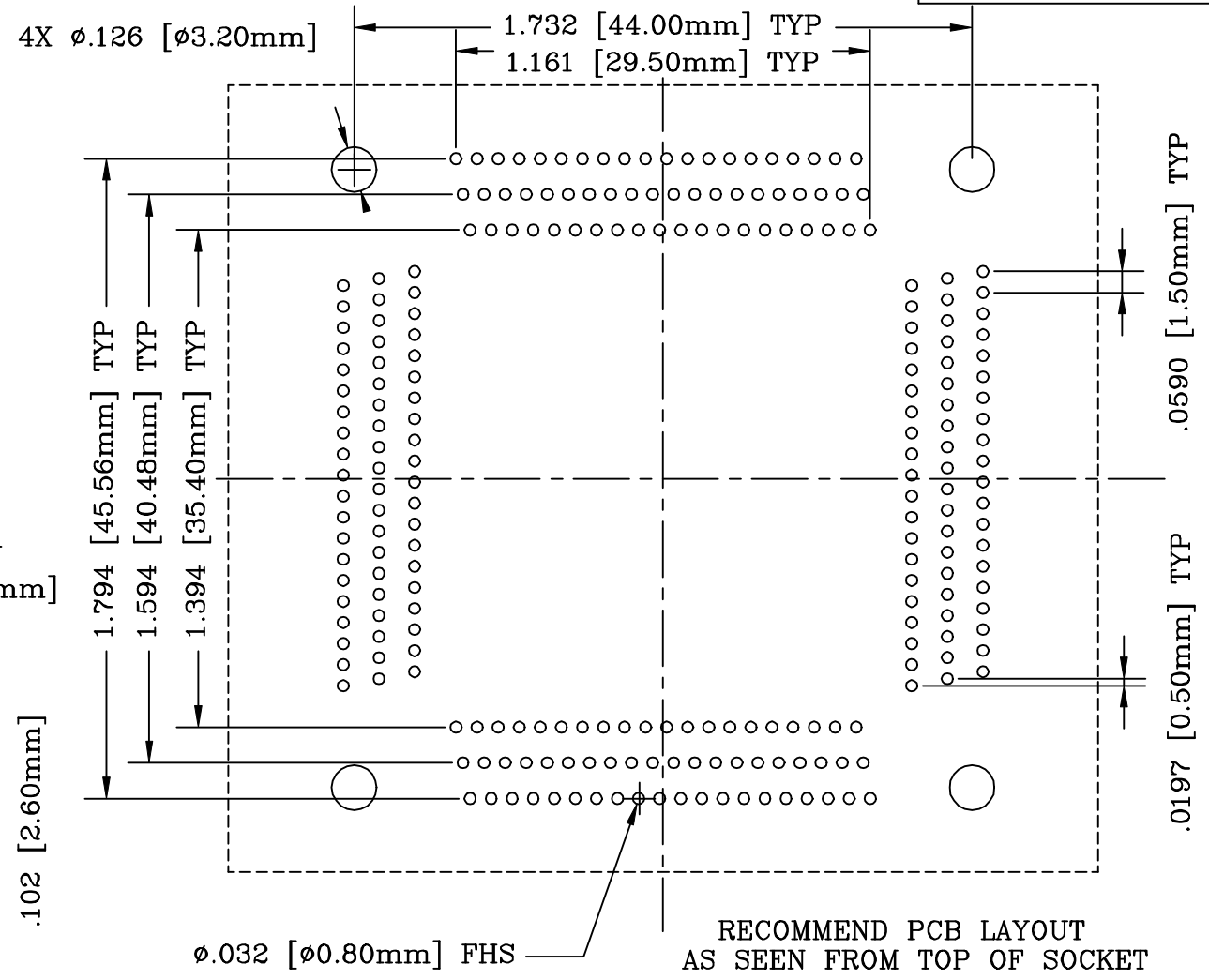
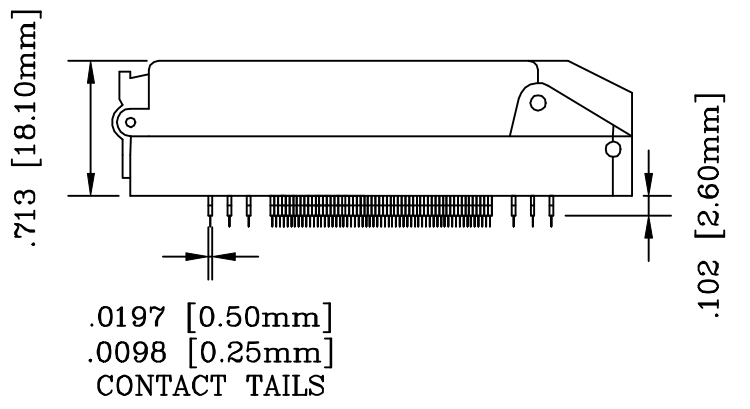
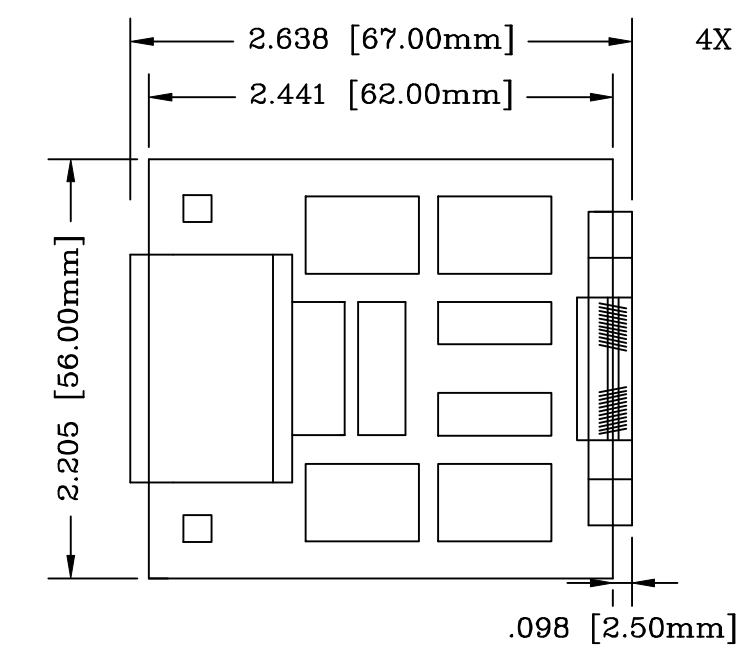


REV	DESCRIPTION	DATE	BY
A	NEW DRAWING	04/30/01	H.N.

SKT1339
DOD 41339

SCALE



RECOMMEND PCB LAYOUT AS SEEN FROM TOP OF SOCKET
ø.032 [ø0.80mm] FHS

PACKAGE SPECIFICATIONS	
PIN COUNT	≡ 240
LEAD PITCH	≡ 0.50mm
PACKAGE SIZE	≡ 32X32mm
TIP TO TIP	≡ 34.60mm

ALL DIMENSIONS ARE IN INCHES UNLESS OTHERWISE SPECIFIED

Emulation Technology, Inc.

— VLSI and SMT ADAPTERS and ACCESSORIES —

2344 Walsh Avenue, Bldg. F	TEL:(408)982-0660	FAX:(408)982-0664
SANTA CLARA, CA 95051		
SHEET: 1 OF 1	DATE: 04/30/01	REVISION: A
ASSEMBLY DRAWING		
CHECKED: Perry Munroe	DRAWN: Huy Nguyen	ITEM: S-QFP-00-240-C
DO NOT SCALE DRAWING		DESCRIPTION: S-QFP-00-240-C