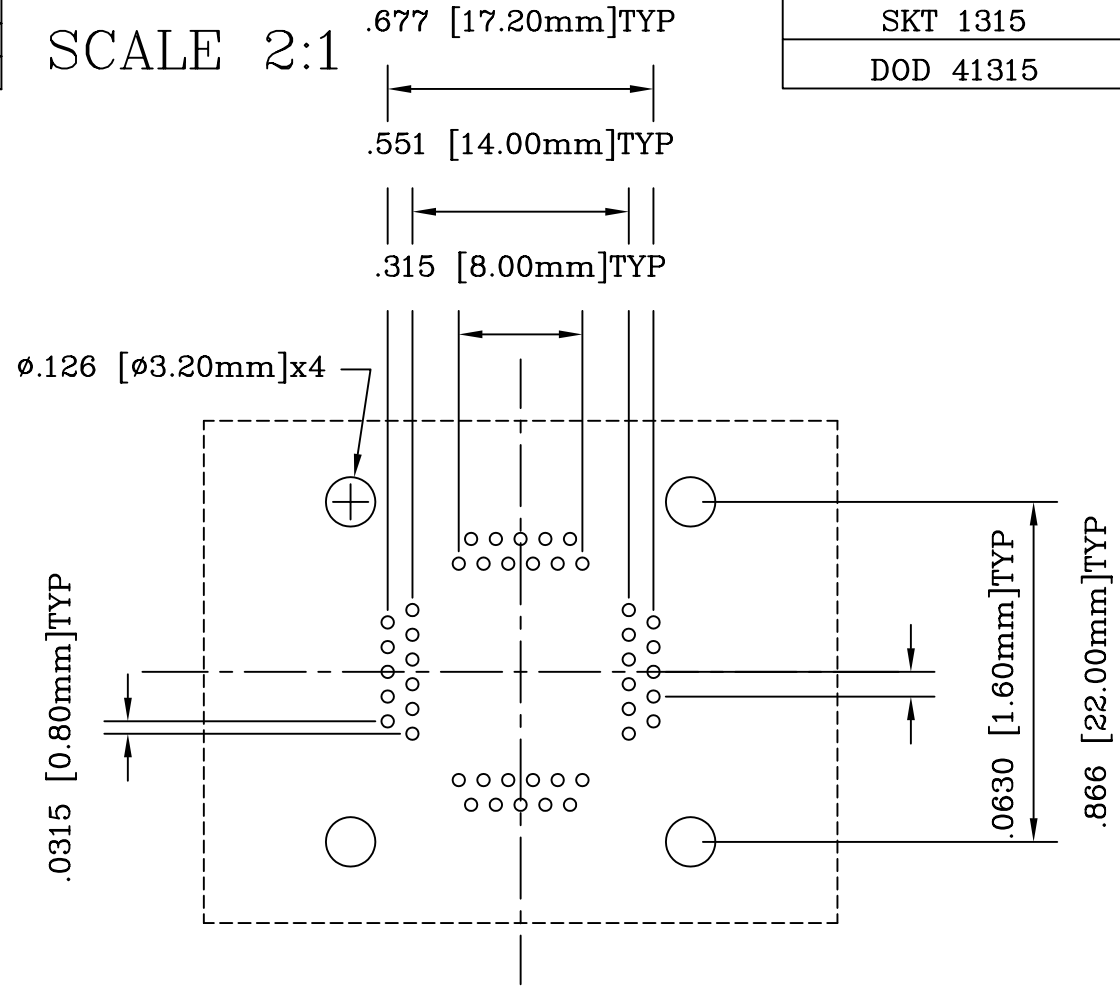
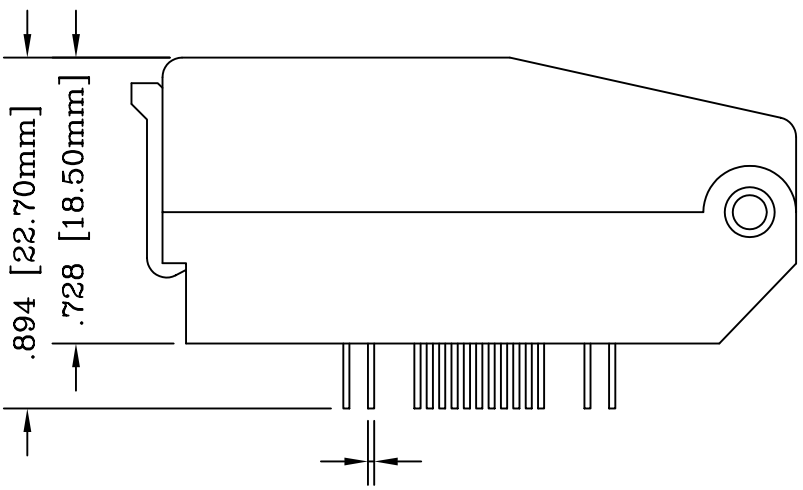
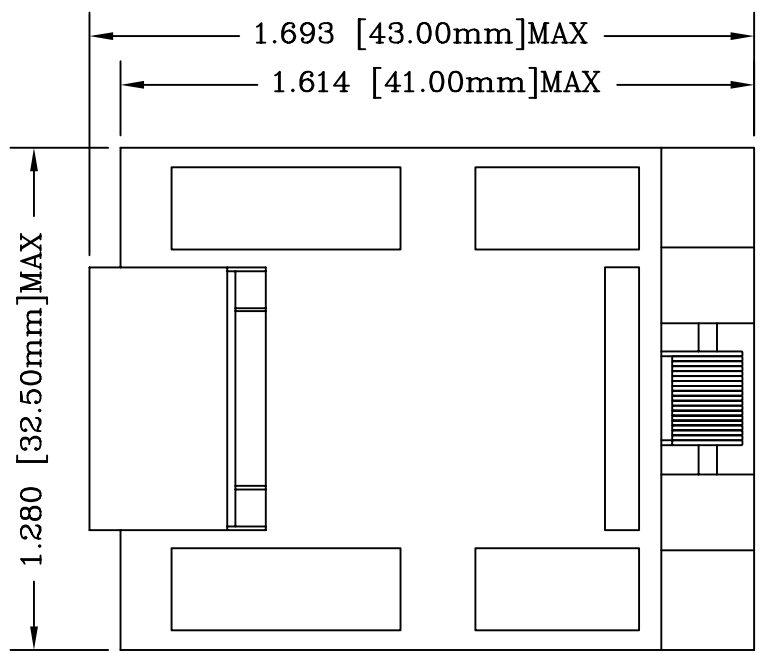


REV	DESCRIPTION	DATE	BY
A	NEW DRAWING	3/15/01	A.F.
B	UPDATED LEAD PITCH	10/17/01	H.N.

SCALE 2:1

SKT 1315
DOD 41315



RECOMMENDED PCB LAYOUT
AS SEEN FROM TOP OF SOCKET

ALL DIMENSIONS ARE IN INCHES UNLESS OTHERWISE SPECIFIED

	Emulation Technology, Inc. — VLSI and SMT ADAPTERS and ACCESSORIES —	
	2344 Walsh Avenue, Bldg. F Santa Clara, Ca 95051	TEL:(408)982-0660 FAX:(408)982-0664

PACKAGE SPECIFICATIONS	
PIN COUNT	≡ 44
LEAD PITCH	≡ 0.80mm
PACKAGE SIZE	≡ 10.00mm
TIP TO TIP	≡ 12.20mm

SHEET: 1 OF 1	DATE: 10/17/01	REVISION: B	ASSEMBLY DRAWING
CHECKED: Perry Munroe	DRAWN: Aaron Fine		
DO NOT SCALE DRAWING			DESCRIPTION: S-QFP-00-044-K