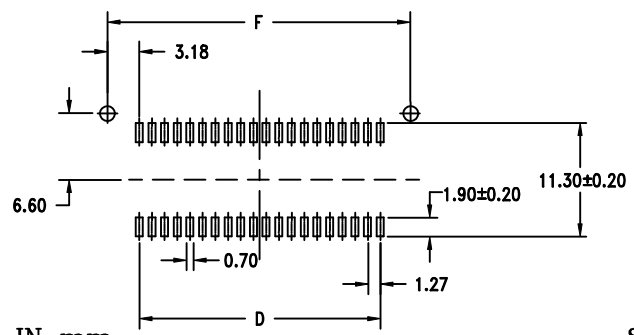
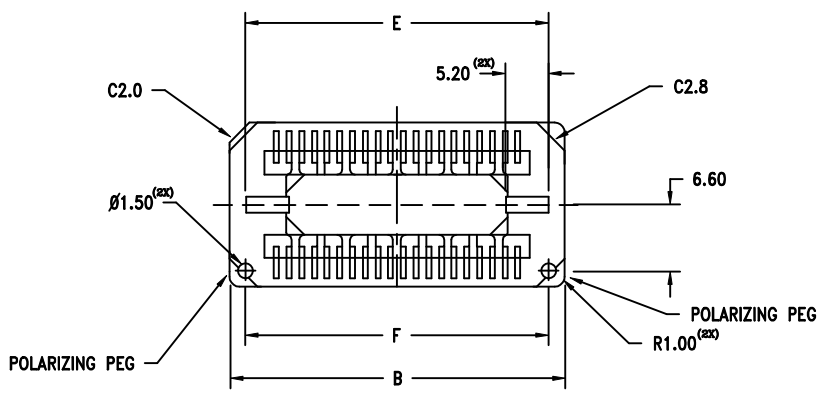
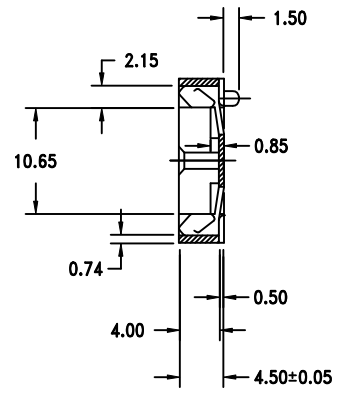
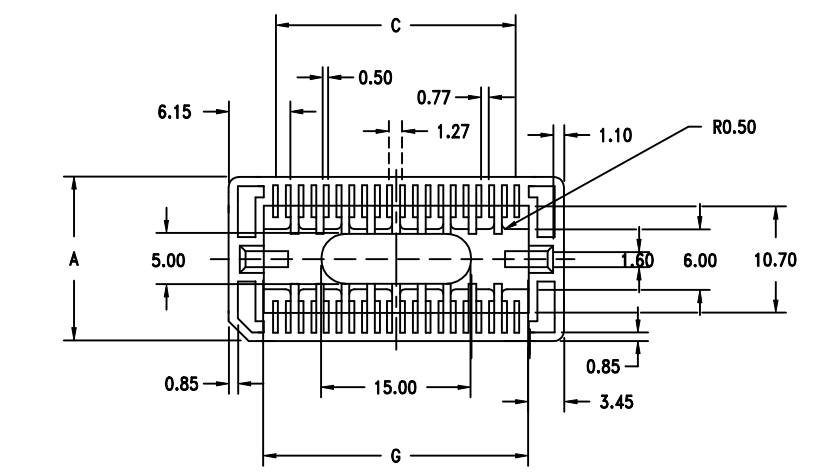


SKT 1251

DOD 41251



NOTES:

1. **BODY:**
PPS Thermoplastic, Brown Color, 40% Glass Filled, Self Extinguishing, UL94V-0 Rated
2. **CONTACT MATERIAL:**
Phosphor Bronze
3. **CONTACT FINISH:**
Tin over Nickel Plating
4. **CONTACT CURRENT RATING:**
1 Amp
5. **CONTACT RESISTANCE:**
30 Milliohms Max.
6. **DIELECTRIC WITHSTANDING VOLTAGE:**
600 VAC Min. for 1 Minute
7. **INSULATION RESISTANCE:**
1000 Megohms Min.
8. **OPERATING TEMPERATURE:**
-55°C to +125°C

ALL DIMENSIONS ARE IN mm

SCALE 1.5:1

PART NO.	NUMBER OF CONTACTS	A ± 0.15	B ± 0.15	C ± 0.10	D ± 0.10	E ± 0.15	F ± 0.15	G ± 0.15
S-SOJ-SM-028-A	28	16.41	25.78	16.51	16.51	24.18	22.86	18.88
S-SOJ-SM-032-A	32	16.41	28.32	19.05	19.05	26.72	25.40	21.42
S-SOJ-SM-040-A	40	16.41	33.40	24.13	24.13	31.80	30.48	26.50

ALL DIMENSIONS ARE IN INCHES UNLESS OTHERWISE SPECIFIED



Emulation Technology, Inc.

— VLSI and SMT ADAPTERS and ACCESSORIES —

2344 Walsh Avenue, Bldg. F
Santa Clara, Ca 95051

TEL:(408)982-0660
FAX:(408)982-0664

SHEET:
1 OF 1

DATE:
1/3/01

REVISION:

ASSEMBLY DRAWING

CHECKED:
Perry Munroe

DRAWN:
Aaron Fine

ITEM: S-SOJ-SM-OXX-A

DO NOT SCALE DRAWING

DESCRIPTION:
S-SOJ-SM-OXX-A