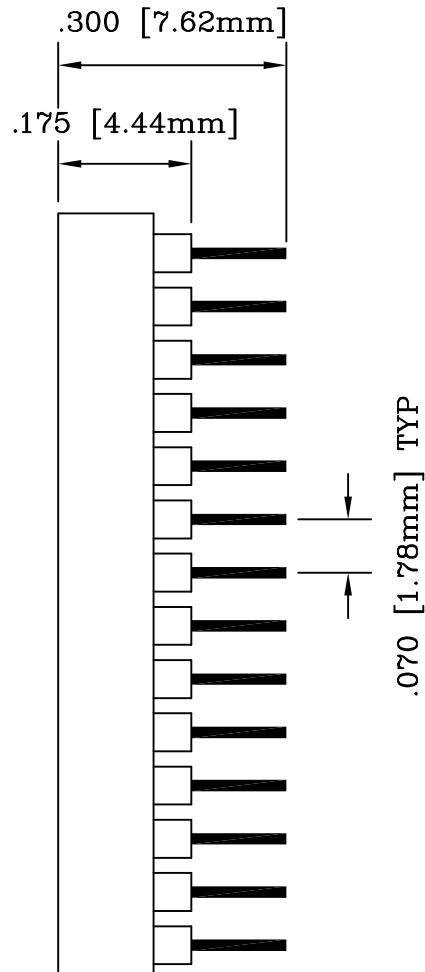
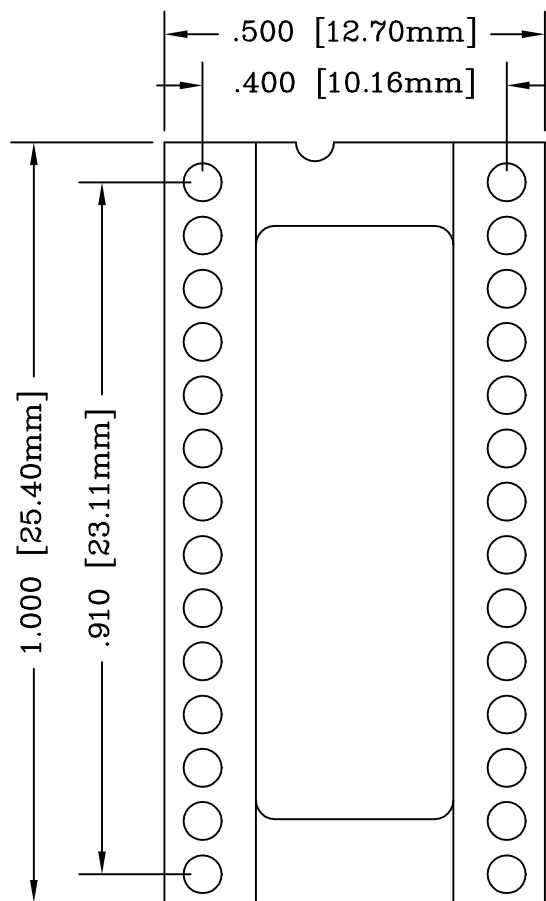


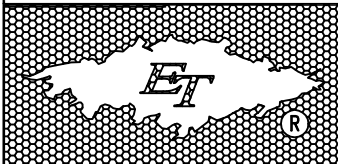
|     |             |          |      |
|-----|-------------|----------|------|
| REV | DESCRIPTION | DATE     | BY   |
| A   | NEW DRAWING | 03/26/03 | H.N. |

SKT1231  
DOD 41231



| PACKAGE SPECIFICATIONS |                     |
|------------------------|---------------------|
| PIN COUNT              | = 28                |
| LEAD PITCH             | = 1.78mm            |
| GRID SIZE              | = 14x2              |
| CHIP SIZE              | = 10.16mm X 23.11mm |

ALL DIMENSIONS ARE IN INCHES UNLESS OTHERWISE SPECIFIED



**Emulation Technology, Inc.**  
— VLSI and SMT ADAPTERS and ACCESSORIES —

2344 Walsh Avenue, Bldg.F Santa Clara, Ca 95051  
TEL:(408)982-0660 FAX:(408)982-0664

|                          |                      |                                |                         |
|--------------------------|----------------------|--------------------------------|-------------------------|
| SHEET:<br>1 OF 1         | DATE:<br>03/26/03    | REVISION:<br>A                 | <b>ASSEMBLY DRAWING</b> |
| CHECKED:<br>Perry Munroe | DRAWN:<br>Huy Nguyen | ITEM:<br>S-SDP-00-028-A        |                         |
| Scale 4:1                | DO NOT SCALE DRAWING | DESCRIPTION:<br>S-SDP-00-028-A |                         |