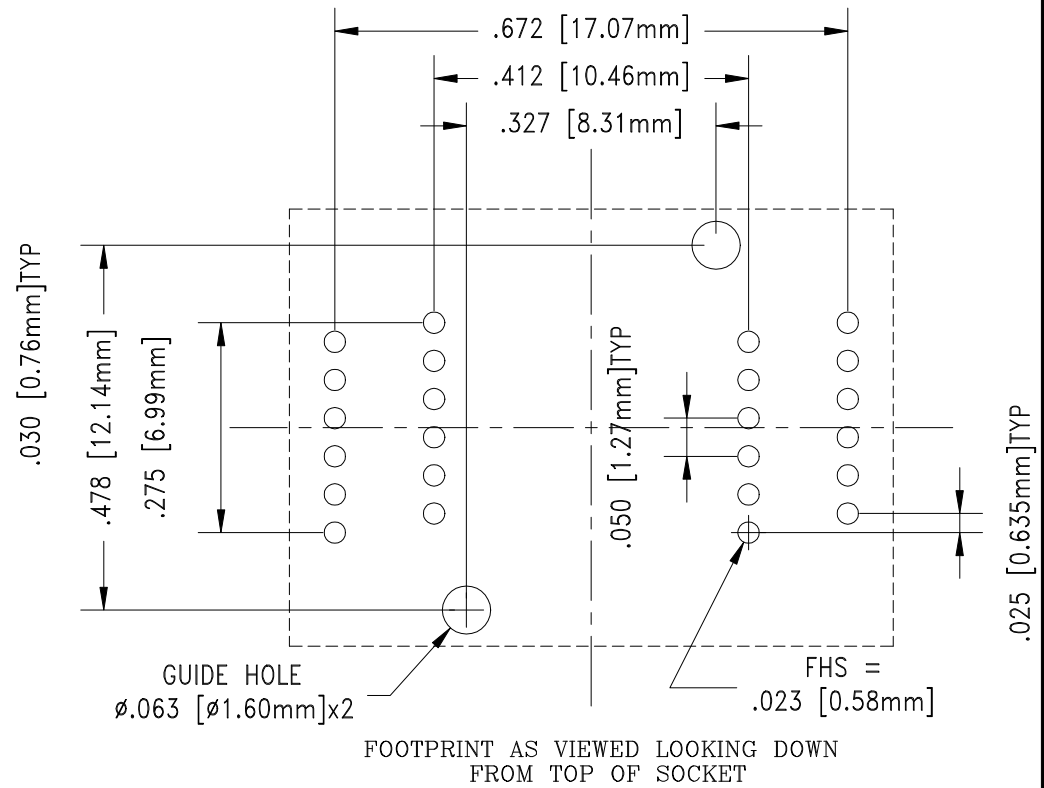
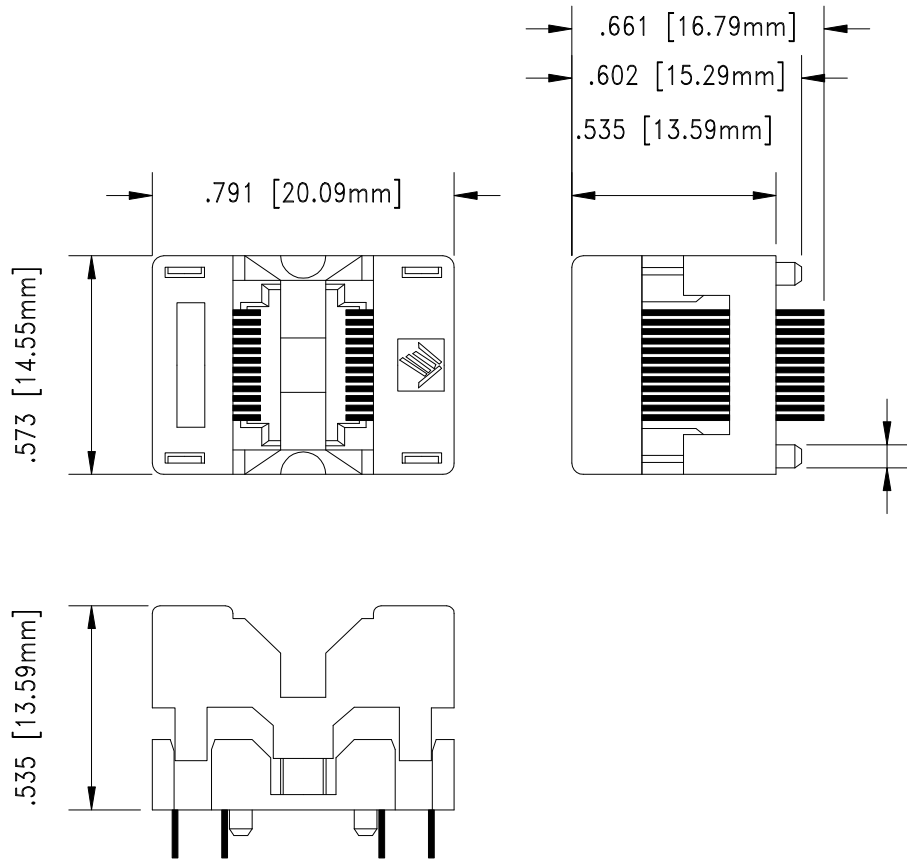


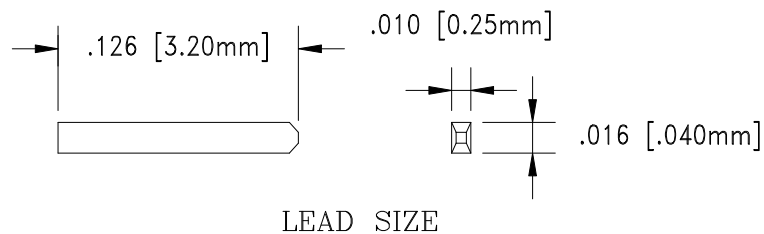
REV	DESCRIPTION	DATE	BY
A	NEW DRAWING	2/21/01	A.F.
B	UPDATED PACKAGE LEAD PITCH	5/30/01	A.F.

SKT1222
DOD 41222

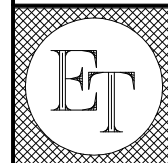


SCALE 2:1

PACKAGE SPECIFICATIONS	
PIN COUNT	= 24
LEAD PITCH	= 0.635mm
PACKAGE WIDTH	= 3.90mm



ALL DIMENSIONS ARE IN INCHES UNLESS OTHERWISE SPECIFIED



Emulation Technology, Inc.
 — VLSI and SMT ADAPTERS and ACCESSORIES —

2344 Walsh Avenue, Bldg. F
 Santa Clara, Ca 95051

TEL:(408)982-0660
 FAX:(408)982-0664

SHEET:
1 OF 1

DATE:
2/21/01

REVISION:
B

ASSEMBLY DRAWING

CHECKED:
Perry Munroe

DRAWN:
Aaron Fine

ITEM: S-SSO-00-024-B

DO NOT SCALE DRAWING

DESCRIPTION:
S-SSO-00-024-B