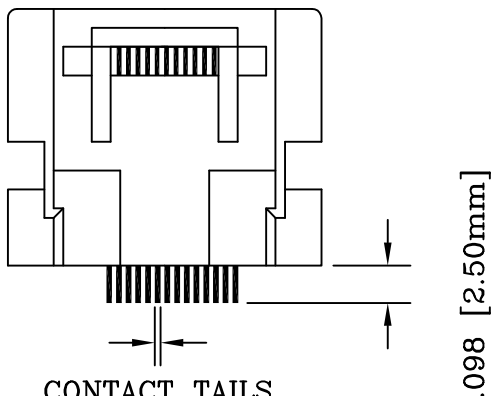
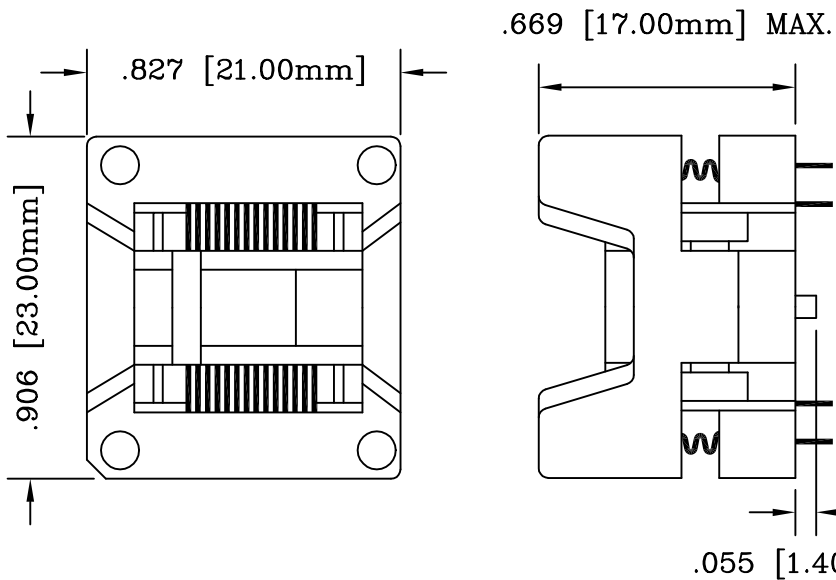
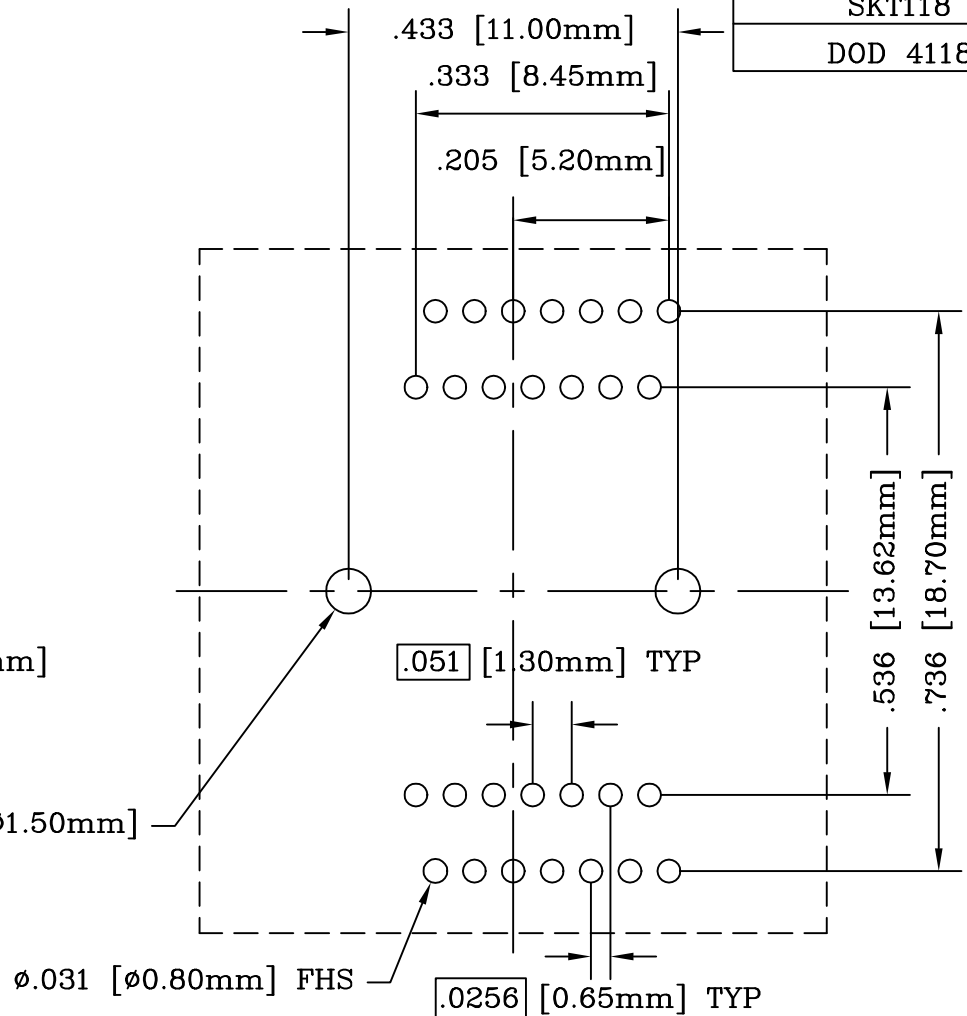


| REV | DESCRIPTION | DATE | BY |
|-----|--------------------------|----------|------|
| A | NEW DRAWING | 2/21/01 | A.F. |
| B | UPDATED DWG & PCB LAYOUT | 04/12/02 | H.N. |

SKT118
DOD 4118



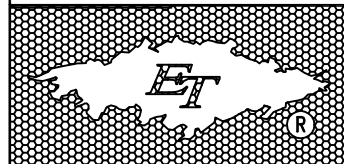
CONTACT TAILS
.0118 [0.30mm] X
.0197 [0.50mm]



RECOMMENDED PCB LAYOUT
AS SEEN FROM TOP OF SOCKET

| PACKAGE SPECIFICATIONS | |
|------------------------|----------|
| PIN COUNT | = 28 |
| LEAD PITCH | = 0.65mm |
| PACKAGE WIDTH | = 5.30mm |

ALL DIMENSIONS ARE IN INCHES UNLESS OTHERWISE SPECIFIED



Emulation Technology, Inc.

— VLSI and SMT ADAPTERS and ACCESSORIES —

2344 Walsh Avenue, Bldg.F Santa Clara, Ca 95051
TEL:(408)982-0660 FAX:(408)982-0664

| | | | |
|--------------------------|----------------------|-------------------------|--------------------------------|
| SHEET: 1 OF 1 | DATE: 04/12/02 | REVISION: B | ASSEMBLY DRAWING |
| CHECKED: Perry Munroe | DRAWN: Huy Nguyen | ITEM: S-SSO-00-028-B | DESCRIPTION: S-SSO-00-028-B |
| Scale 1:2 | DO NOT SCALE DRAWING | | |