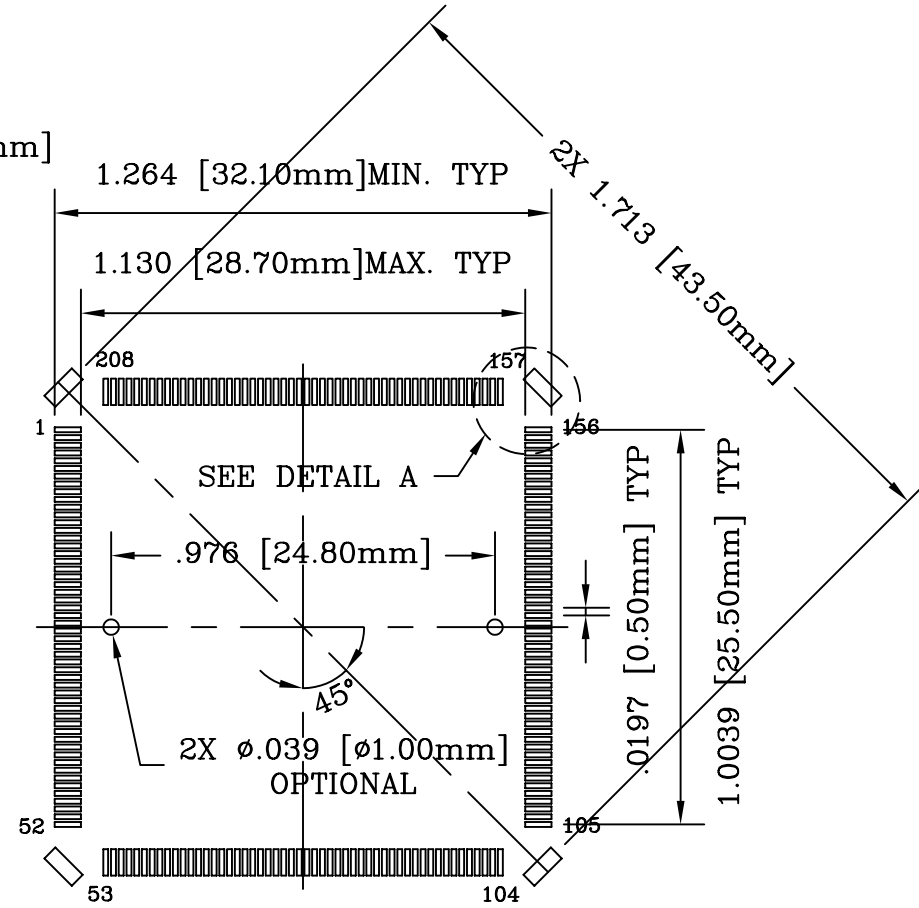
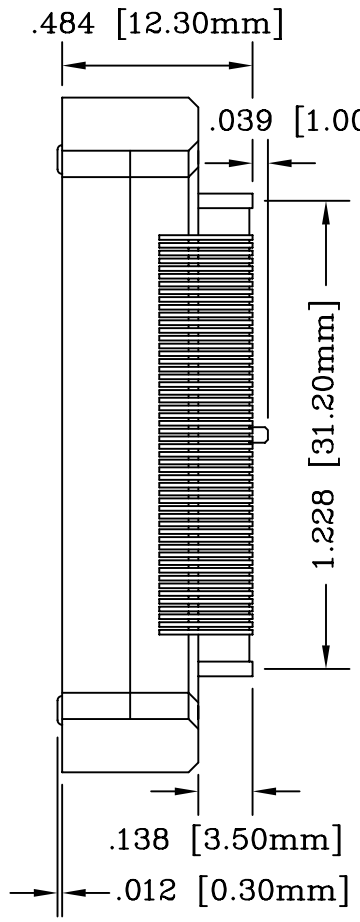
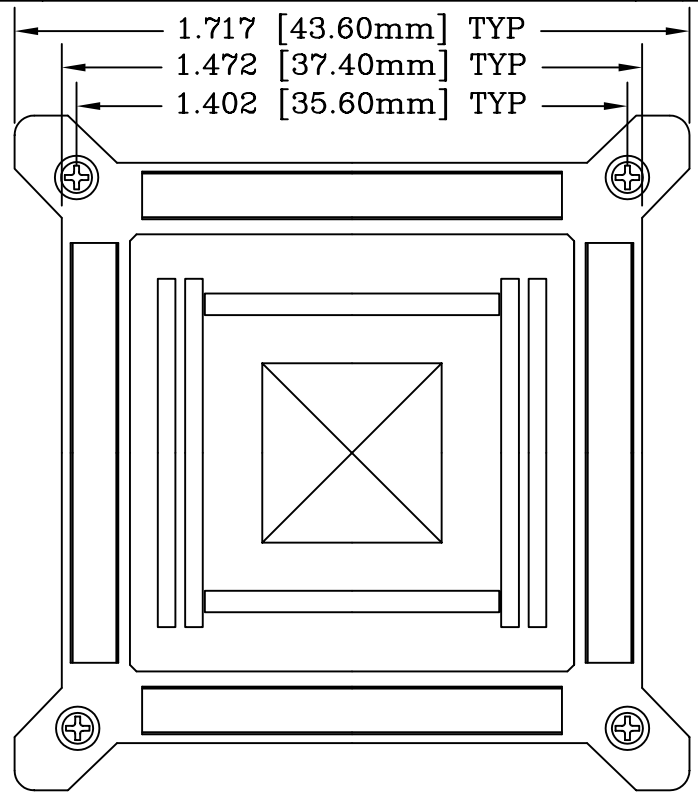


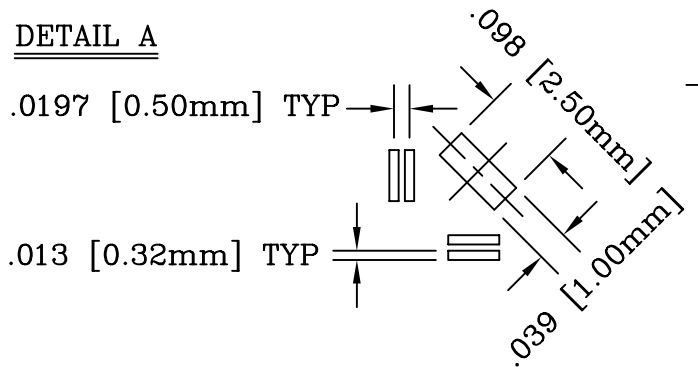
REV	DESCRIPTION	DATE	BY
A	NEW DRAWING	9/25/00	M.D.
B	UPDATED DRAWING & DIMENSIONS	09/05/01	H.N.
C	UPDATED DRAWING & PCB LAYOUT	04/22/03	H.N.
D	ADDED CHARACTERISTICS	10/21/03	H.N.

CHARACTERISTICS:  
 Contact Resistance: 30mΩ Max. at 10mA/20mV  
 Operating Temperature: -25°C ~ +85°C  
 Mating Cycles: 20 Insertions/ Extractions.

SKT1168
DOD 41168



DETAIL A



ROHS COMPLIANT

RECOMMENDED PCB LAYOUT  
 AS SEEN FROM TOP OF SOCKET

ALL DIMENSIONS ARE IN INCHES UNLESS OTHERWISE SPECIFIED

		<b>Emulation Technology, Inc.</b> — VLSI and SMT ADAPTERS and ACCESSORIES —	
		2344 Walsh Avenue, Bldg.F Santa Clara, Ca 95051	TEL:(408)982-0660 FAX:(408)982-0664
SHEET: 1 OF 1	DATE: 10/21/03	REVISION: D	<b>ASSEMBLY DRAWING</b>
CHECKED: Perry Munroe	DRAWN: Huy Nguyen		ITEM: S-QFP-SM-208-A1
Scale 2:1	DO NOT SCALE DRAWING	DESCRIPTION: S-QFP-SM-208-A1	

PACKAGE SPECIFICATIONS	
PIN COUNT	= 208
LEAD PITCH	= 0.50mm
PACKAGE SIZE	= 28.00mm SQ
TIP TO TIP	= 30.60mm SQ
ET PACKAGE CODE	= 208-QF21C