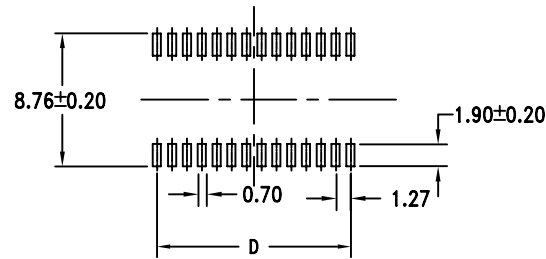
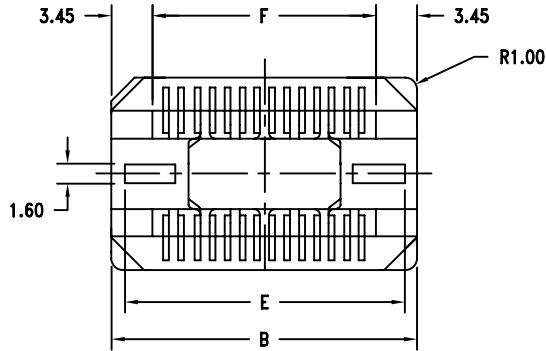
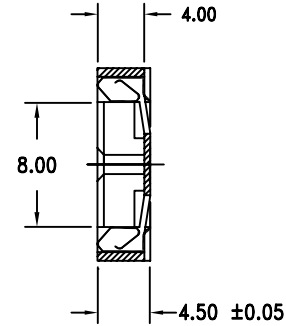
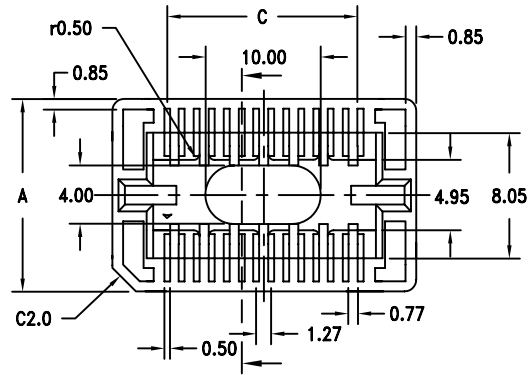


REV	DESCRIPTION	DATE	BY
A	NEW DRAWING	1/3/01	A.F.
B	REMOVED S-SOJ-SM-024 & 26-A	12/16/06	H.N.

SKT112



ALL DIMENSIONS ARE IN mm

SCALE 1.5:1

PART NO.	NUMBER OF CONTACTS	A ± 0.15	B ± 0.15	C ± 0.10	D ± 0.10	E ± 0.15	F ± 0.15
S-SOJ-SM-028-B	28	13.87	25.80	16.51	16.51	24.18	18.90
S-SOJ-SM-032-B	32	13.87	28.34	19.05	19.05	26.72	21.44

ALL DIMENSIONS ARE IN INCHES UNLESS OTHERWISE SPECIFIED



Emulation Technology, Inc.
 — VLSI and SMT ADAPTERS and ACCESSORIES —

2344 Walsh Avenue, Bldg. F
 Santa Clara, Ca 95051

TEL:(408)982-0660
 FAX:(408)982-0664

SHEET: 1 OF 1	DATE: 1/3/01	REVISION: B	ASSEMBLY DRAWING
CHECKED: Perry Munroe	DRAWN: Aaron Fine	ITEM: S-SOJ-SM-OXX-A/B	DESCRIPTION: S-SOJ-SM-OXX-A/B
DO NOT SCALE DRAWING			