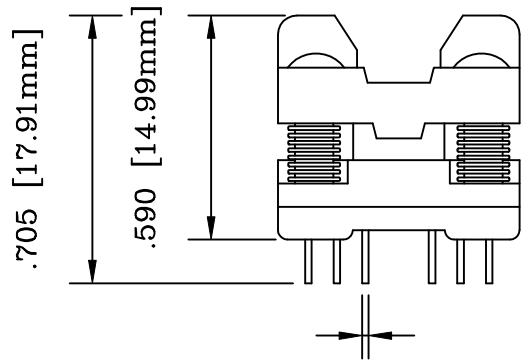
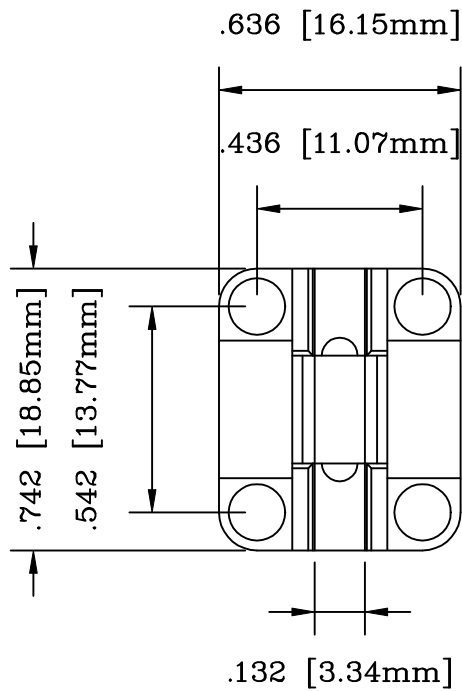


REV	DESCRIPTION	DATE
A	NEW DRAWING	3/7/01

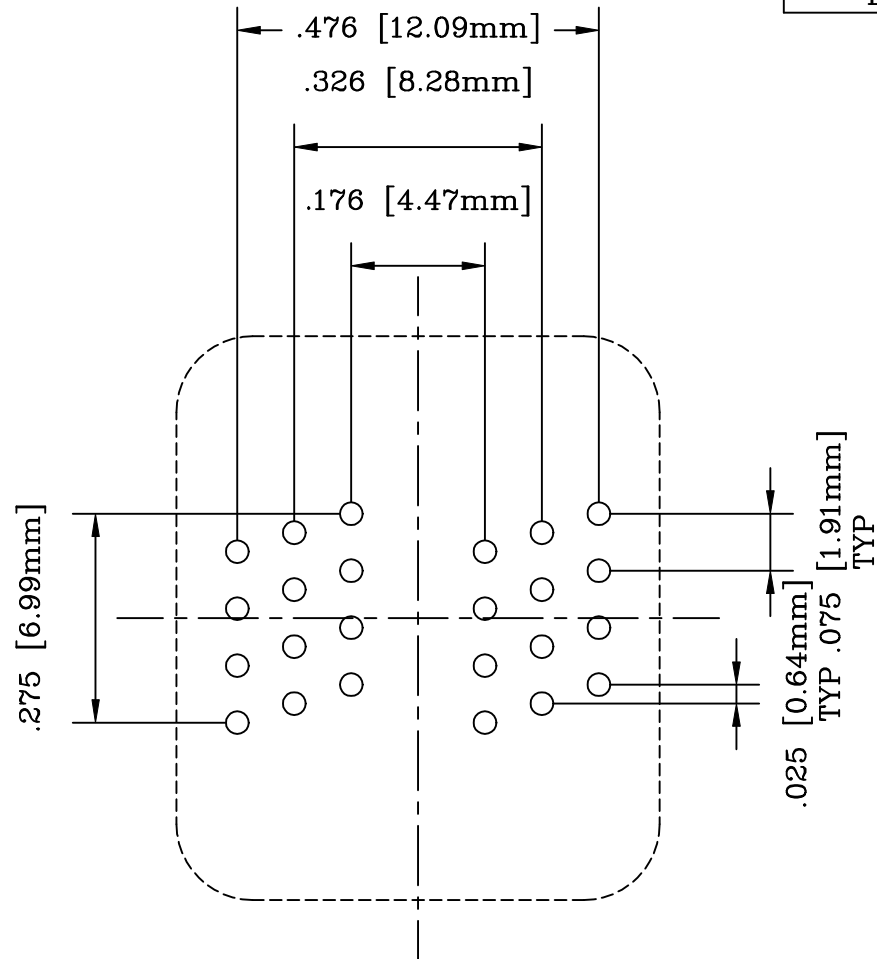
SKT 1096
DOD 41096



CONTACT TAILS
 0.025 [0.64mm] X
 0.008 [0.20mm]

PACKAGE SPECIFICATIONS	
PIN COUNT	= 20
LEAD PITCH	= 0.64mm
PACKAGE WIDTH	= 3.80mm

SCALE 2:1



RECOMMENDED PCB LAYOUT
 AS SEEN FROM TOP OF SOCKET

ALL DIMENSIONS ARE IN INCHES UNLESS OTHERWISE SPECIFIED



Emulation Technology, Inc.
 — VLSI and SMT ADAPTERS and ACCESSORIES —

2344 Walsh Avenue, Bldg. F
 Santa Clara, Ca 95051

TEL:(408)982-0660
 FAX:(408)982-0664

SHEET: 1 OF 1	DATE: 3/7/01	REVISION: A	ASSEMBLY DRAWING
CHECKED: Perry Munroe	DRAWN: Aaron Fine	ITEM: S-SSO-00-020-C	DESCRIPTION: S-SSO-00-020-C
DO NOT SCALE DRAWING			