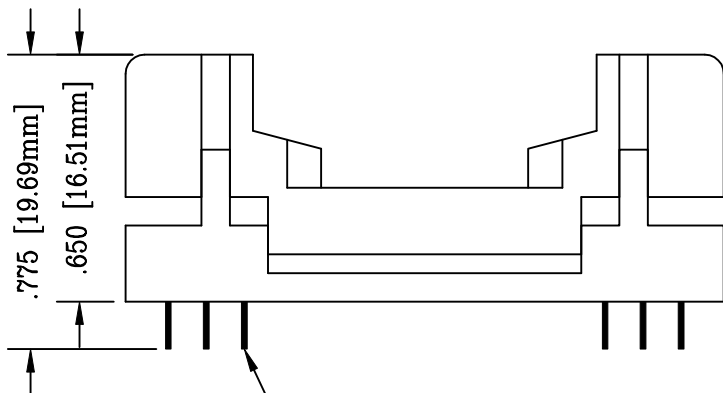
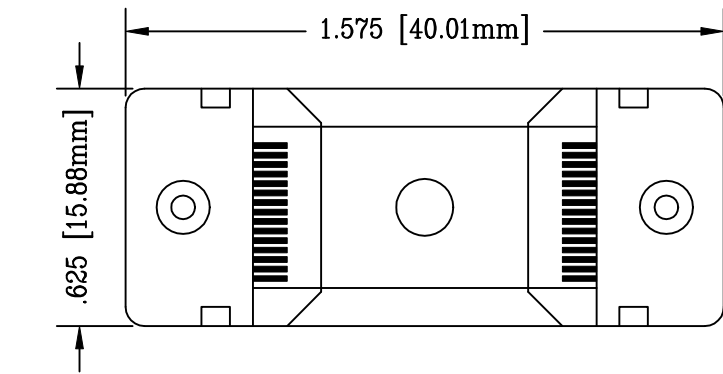


SKT107

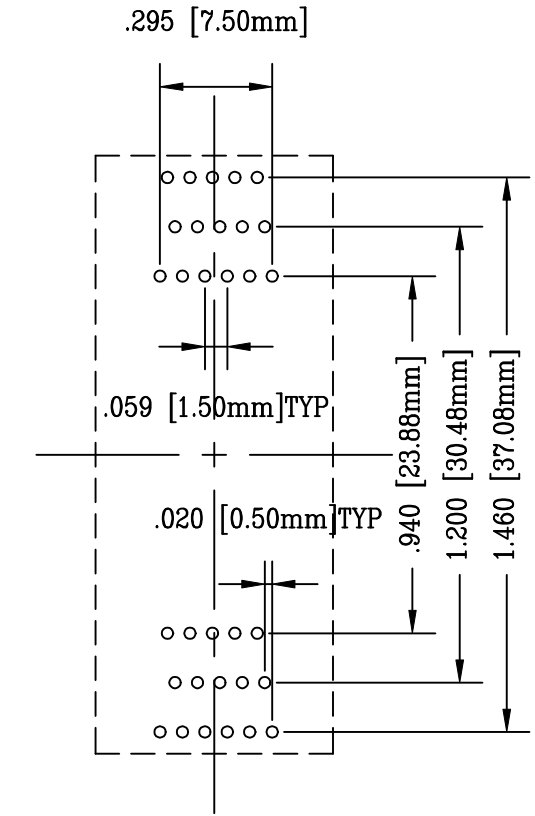
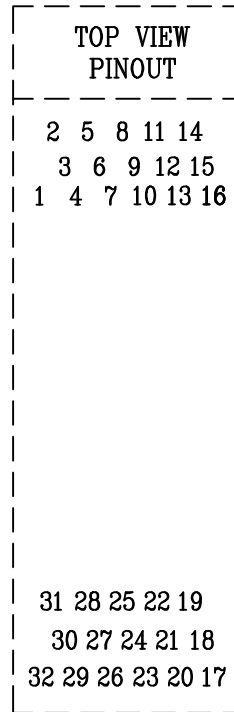
DOD 4107



CONTACT TAILS
 .0157 [0.40mm] X
 .0098 [0.25mm]

SCALE 2:1

PACKAGE SPECIFICATIONS	
PIN COUNT	= 32
LEAD PITCH	= 0.50mm
PACKAGE WIDTH	= 18.40mm



RECOMMENDED PCB LAYOUT
 AS SEEN FROM TOP OF SOCKET

ALL DIMENSIONS ARE IN INCHES UNLESS OTHERWISE SPECIFIED



Emulation Technology, Inc.
 — VLSI and SMT ADAPTERS and ACCESSORIES —

2344 Walsh Avenue, Bldg. F
 Santa Clara, Ca 95051

TEL:(408)982-0660
 FAX:(408)982-0664

SHEET: 1 OF 1	DATE: 2/8/01	REVISION:	ASSEMBLY DRAWING
CHECKED: Perry Munroe	DRAWN: Aaron Fine	ITEM: S-TSO-00-032-D	
DO NOT SCALE DRAWING			DESCRIPTION: S-TSO-00-032-D