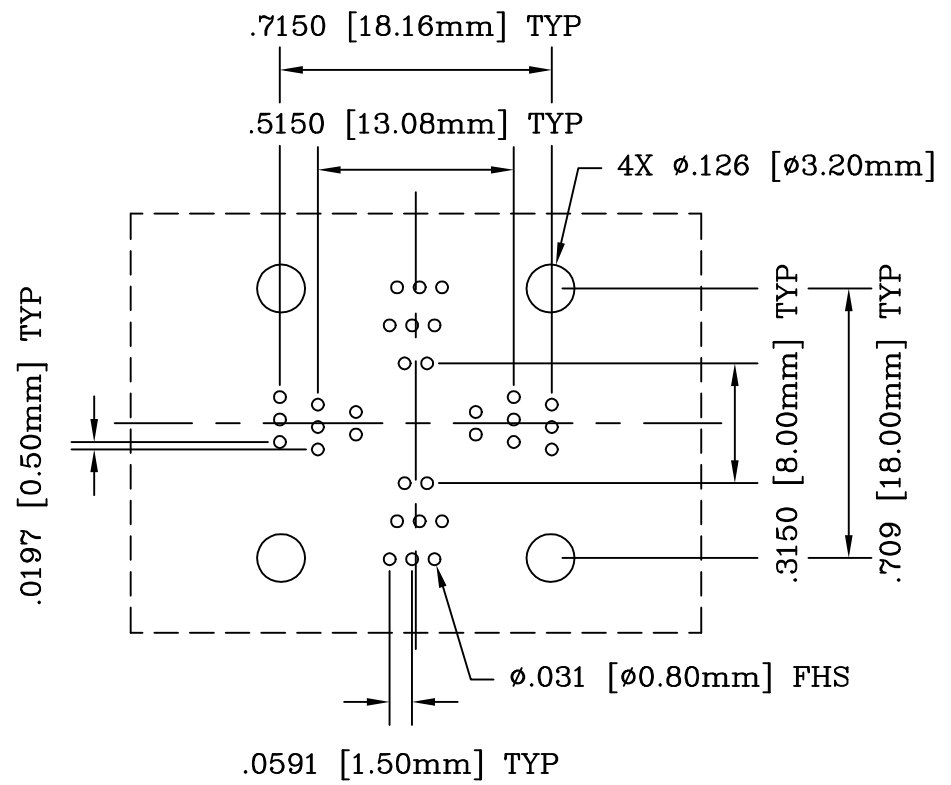
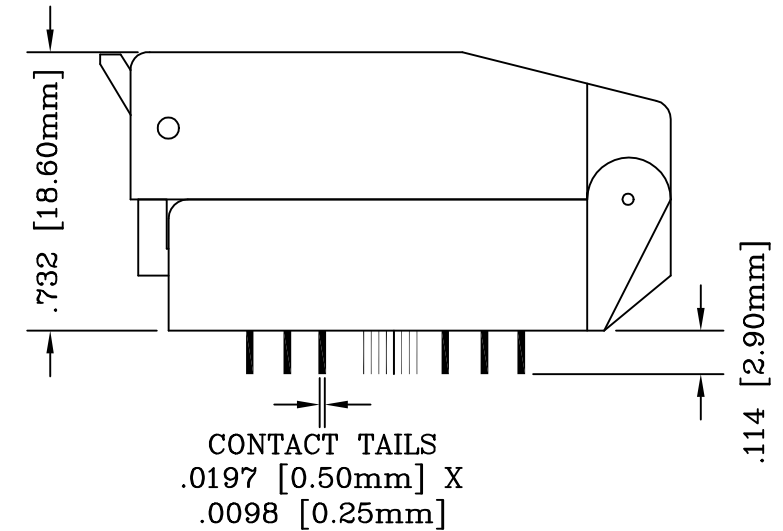
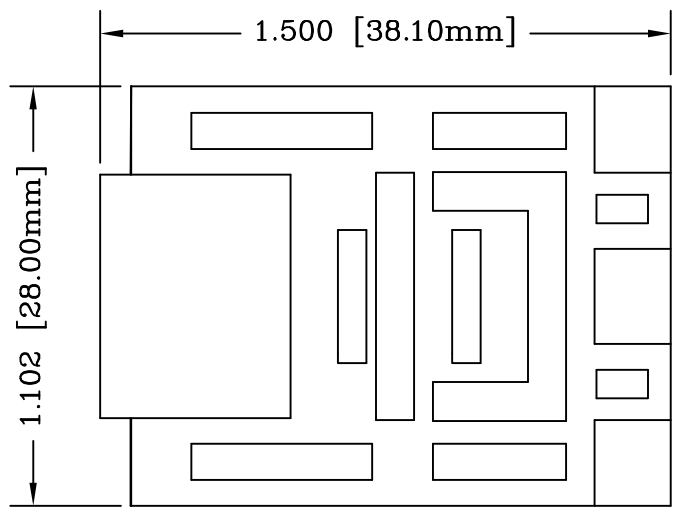


REV	DESCRIPTION	DATE	BY
A	NEW DRAWING	04/12/00	S.M.
B	UPDATED DRAWING & PACKAGE	02/07/02	H.N.

SKT1006
DOD 41006



**RECOMMENDED PCB LAYOUT  
AS SEEN FROM TOP OF SOCKET**

PACKAGE SPECIFICATIONS	
PIN COUNT	≡ 32
LEAD PITCH	≡ 0.50mm
PACKAGE SIZE	≡ 5.00mm
TIP TO TIP	≡ 7.00mm
ET PACKAGE CODE	≡ 32-QF60D

ALL DIMENSIONS ARE IN INCHES UNLESS OTHERWISE SPECIFIED

		<b>Emulation Technology, Inc.</b> — VLSI and SMT ADAPTERS and ACCESSORIES —	
		2344 Walsh Avenue, Bldg.F Santa Clara, Ca 95051	TEL:(408)982-0660 FAX:(408)982-0664
SHEET: 1 OF 1	DATE: 02/07/02	REVISION: B	<b>ASSEMBLY DRAWING</b>
CHECKED: Perry Munroe	DRAWN: Huy Nguyen		ITEM: S-QFP-00-032-B
Scale 2:1	DO NOT SCALE DRAWING	DESCRIPTION: S-QFP-00-032-B	