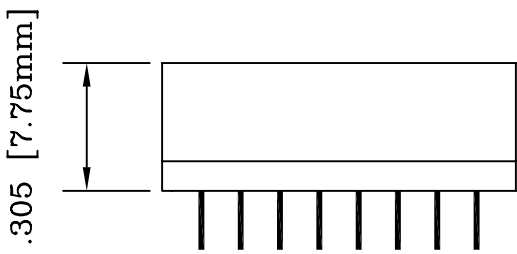
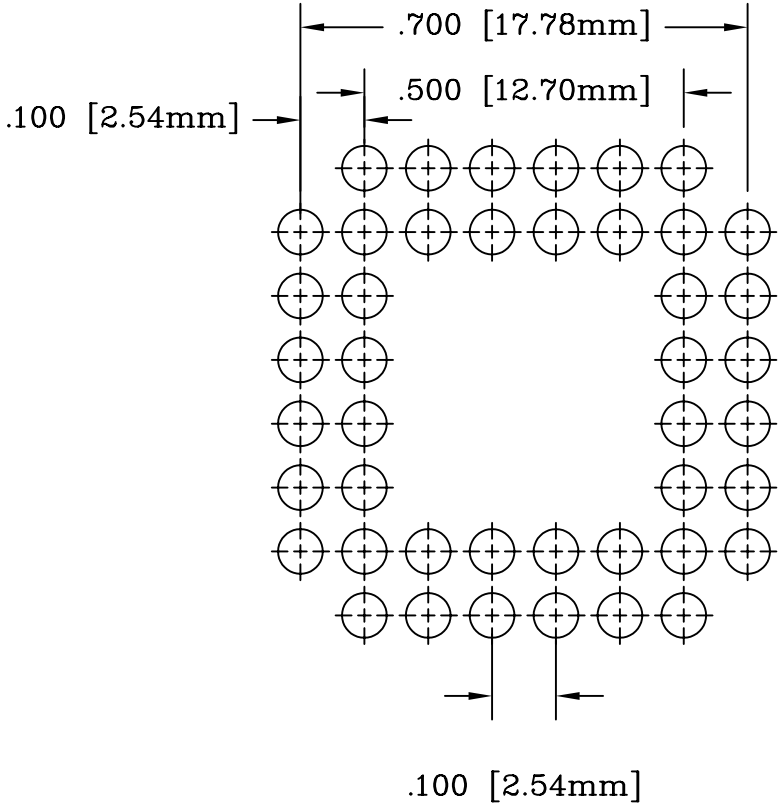
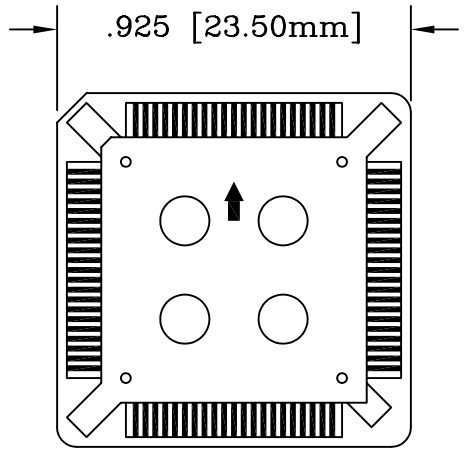
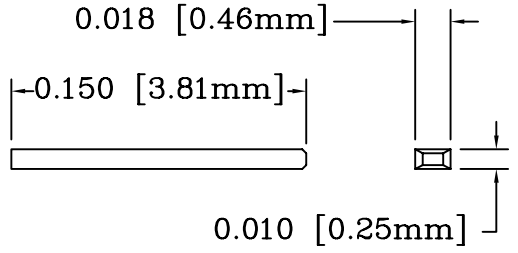


REV	DESCRIPTION	DATE	BY
A	NEW DRAWING	7/8/93	S.B.
B	UPDATED DRAWING TO ROHS	11/03/06	H.N.

SKT098

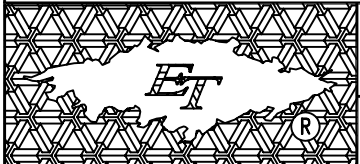


RoHS Compliant



LEAD SIZE  
(SCALE 10:1)

ALL DIMENSIONS ARE IN INCHES UNLESS OTHERWISE SPECIFIED



**Emulation Technology, Inc.**  
— VLSI and SMT ADAPTERS and ACCESSORIES —  
2344 Walsh Avenue, Bldg.F Santa Clara, Ca 95051  
TEL:(408)982-0660 FAX:(408)982-0664

SHEET: 1 OF 1	DATE: 11/03/06	REVISION: B	<b>ASSEMBLY DRAWING</b>
CHECKED: Perry Munroe	DRAWN: Huy Nguyen	ITEM: S-PCC-08-044-A	DESCRIPTION: S-PCC-08-044-A
Scale N/A	DO NOT SCALE DRAWING		