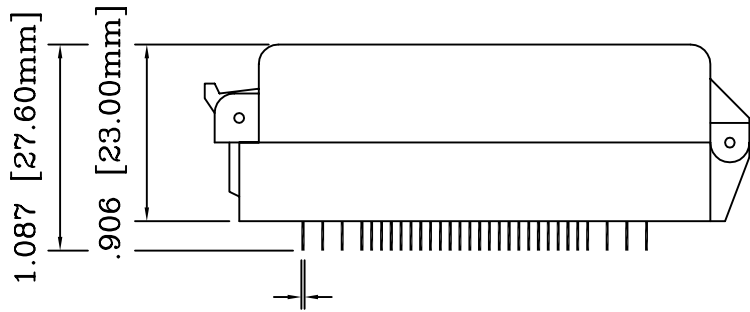
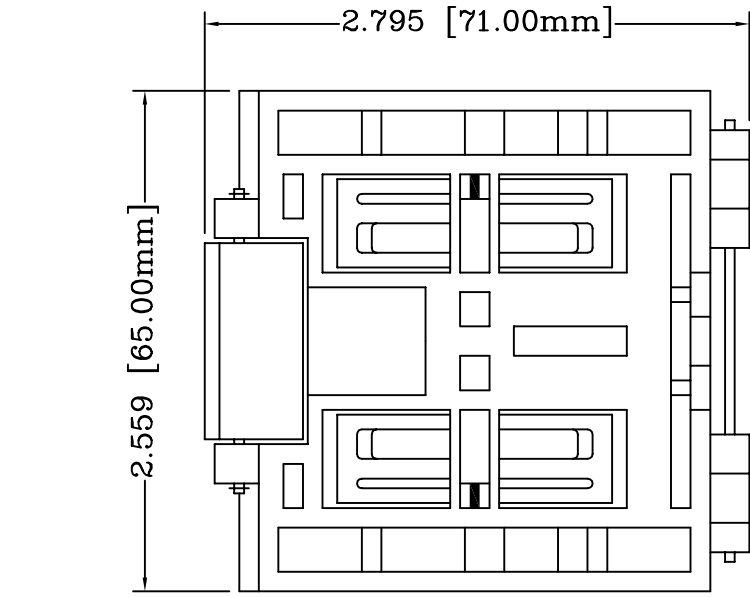
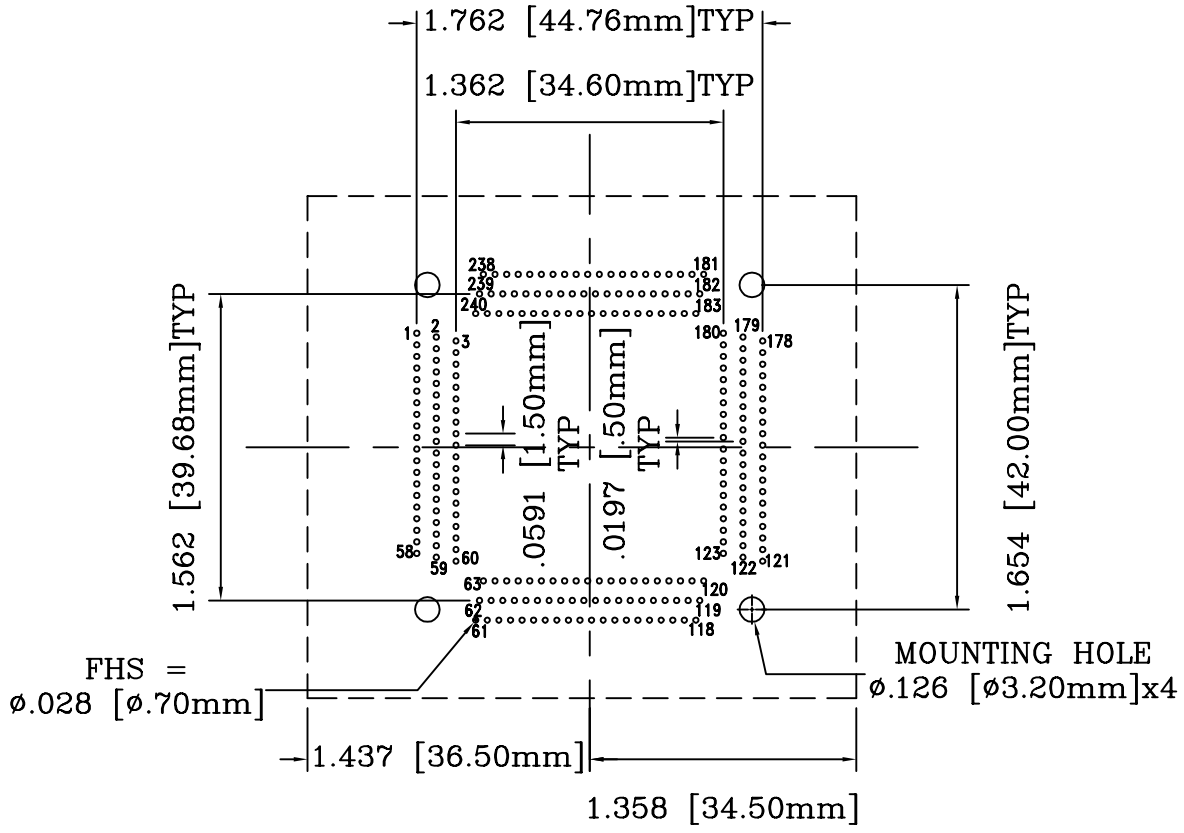


REV	DESCRIPTION	DATE	BY
A	NEW DRAWING	6/9/00	M.D.
B	UPDATED FOOTPRINT INFORMATION	8/24/01	A.F.
C	ADDED PIN OUT	02/04/02	H.N.

SKT048  
DOD 4048

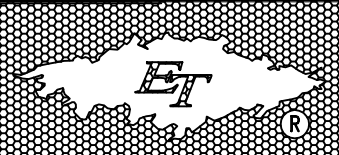


CONTACT TAILS  
.0197 [0.50mm] X  
.0079 [0.20mm]



**RECOMMENDED PCB LAYOUT  
AS SEEN FROM TOP OF SOCKET**

ALL DIMENSIONS ARE IN INCHES UNLESS OTHERWISE SPECIFIED



**Emulation Technology, Inc.**  
— VLSI and SMT ADAPTERS and ACCESSORIES —  
2344 Walsh Avenue, Bldg.F Santa Clara, Ca 95051  
TEL:(408)982-0660 FAX:(408)982-0664

PACKAGE SPECIFICATIONS	
PIN COUNT	= 240
LEAD PITCH	= 0.50mm
PACKAGE SIZE	= 32.00mm SQUARE
TIP TO TIP	= 34.60mm SQUARE

SHEET: 1 OF 1	DATE: 02/04/02	REVISION: C	<b>ASSEMBLY DRAWING</b>
CHECKED: Perry Munroe	DRAWN: Huy Nguyen	ITEM: S-QFP-00-240-B	
Scale 1:1	DO NOT SCALE DRAWING	DESCRIPTION: S-QFP-00-240-B	