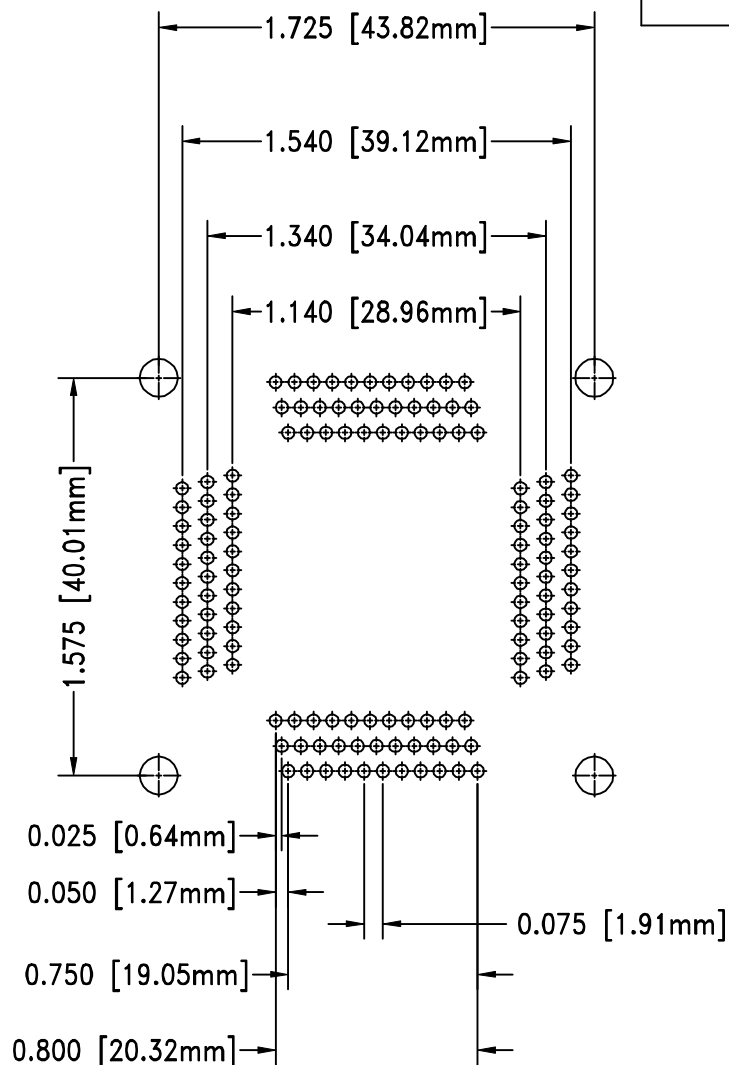
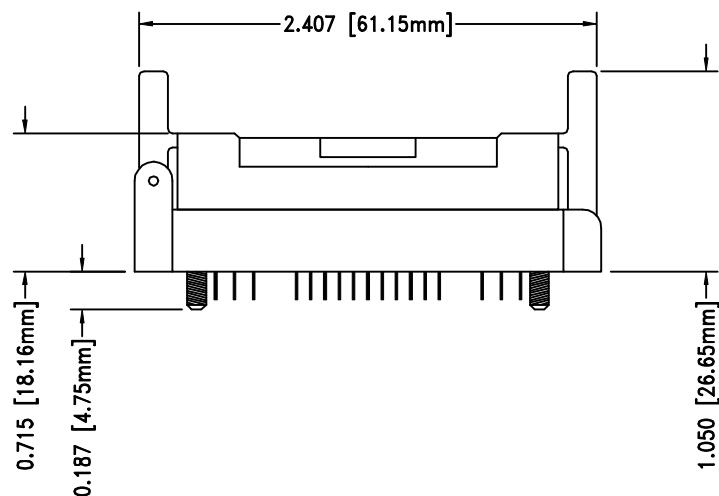
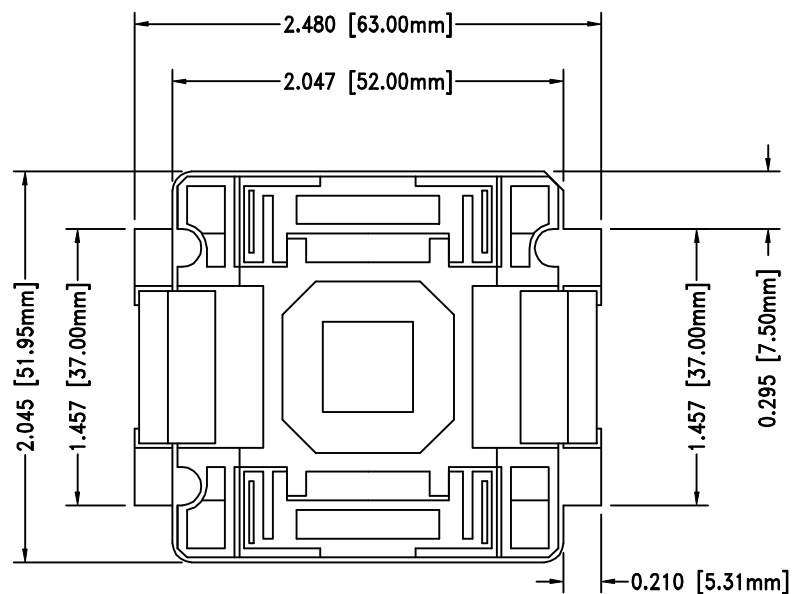


DIMENSIONS ARE IN INCHES[MILLIMETERS]


SKT035

DOD 4035



ET-PACKAGE CODE= 132-QF03

- LEAD COUNT= 132
- BODY SIZE= .950" SQ. [24.13mm]
- LEAD PITCH= .025" [.635mm]
- TIP TO TIP= 1.10" SQ. [27.94mm]

| | | |
|---|--|--|
|  | Emulation Technology, Inc. — VLSI and SMT ADAPTERS and ACCESSORIES — | |
| | 2344 Walsh Avenue, Bldg. F Santa Clara, Ca 95051 | TEL:(408)982-0660 FAX:(408)982-0664 |
| SHEET: 1 OF 1 | DATE: 6-09-00 | REVISION: TEST & BURN IN SOCKET |
| CHECKED: Paula Olson | DRAWN: Miguel Delgadillo | E.T. PART #: S-QFP-00-132-E |
| DO NOT SCALE DRAWING | | ID CODE: S-QFP-00-132-E |