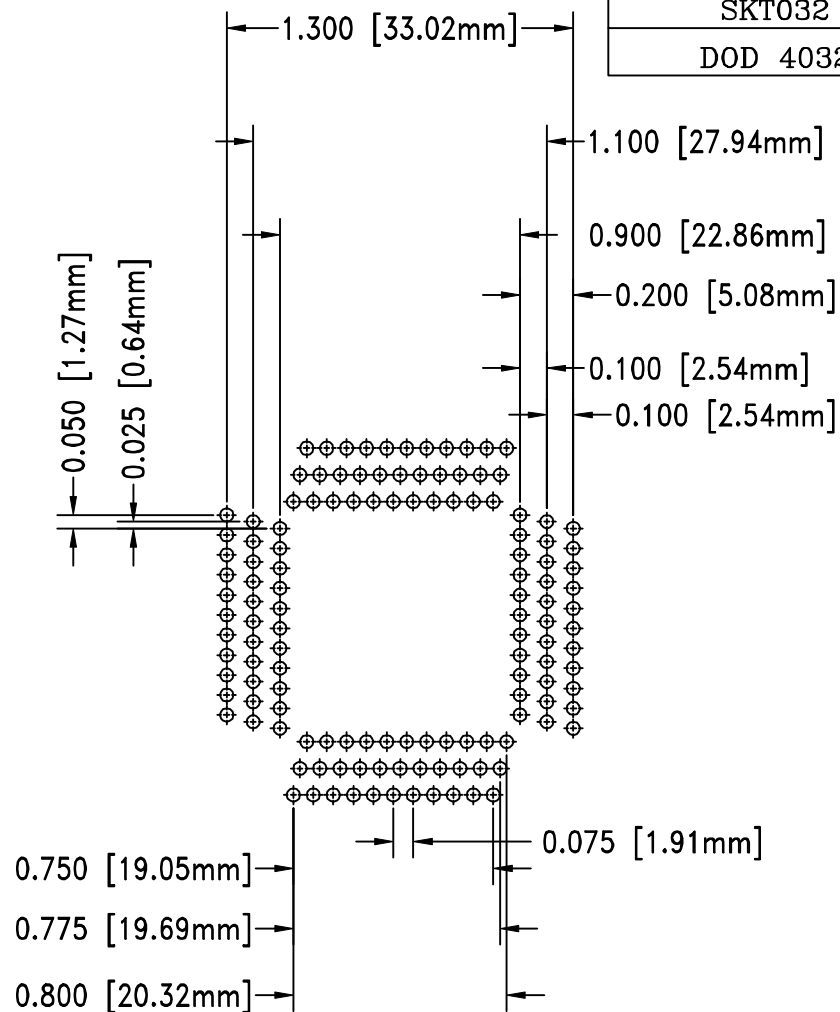
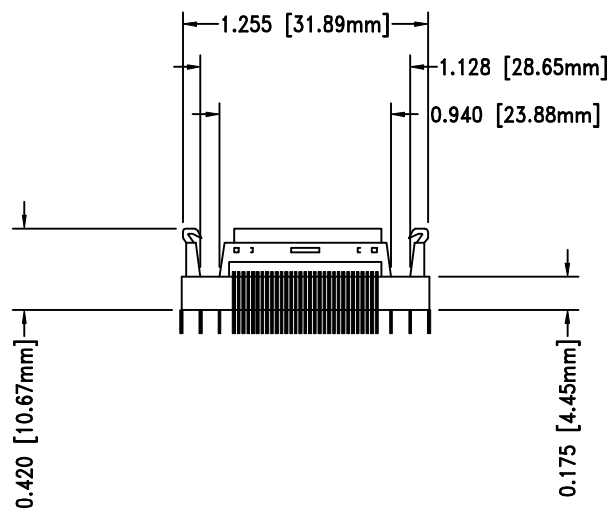
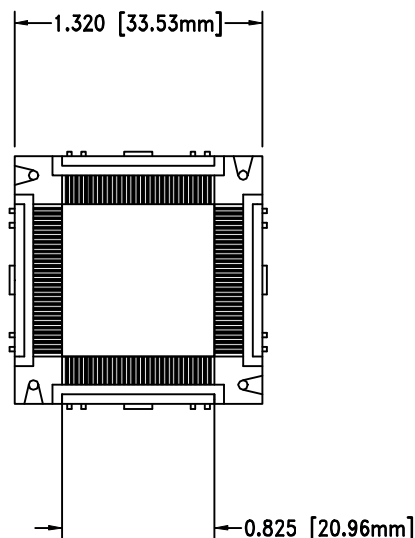



DIMENSIONS ARE IN INCHES[MILLIMETERS]



SKT032  
DOD 4032

ET-PACKAGE CODE= 132-QF03

- LEAD COUNT= 132
- BODY SIZE= .950" SQ. [24.13mm]
- LEAD PITCH= .025" [.635mm]
- TIP TO TIP= 1.10" SQ. [27.9mm]

	<b>Emulation Technology, Inc.</b> — VLSI and SMT ADAPTERS and ACCESSORIES —	
	2344 Walsh Avenue, Bldg. F Santa Clara, Ca 95051	TEL:(408)982-0660 FAX:(408)982-0664
SHEET: 1 OF 2	DATE: 6-08-00	REVISION: 
CHECKED: Paula Olson	DRAWN: Miguel Delgdiljo	<b>TEST &amp; BURN IN SOCKET</b>
<b>DO NOT SCALE DRAWING</b>		E.T. PART #: S-QFP-00-132-B ID CODE: S-QFP-00-132-B