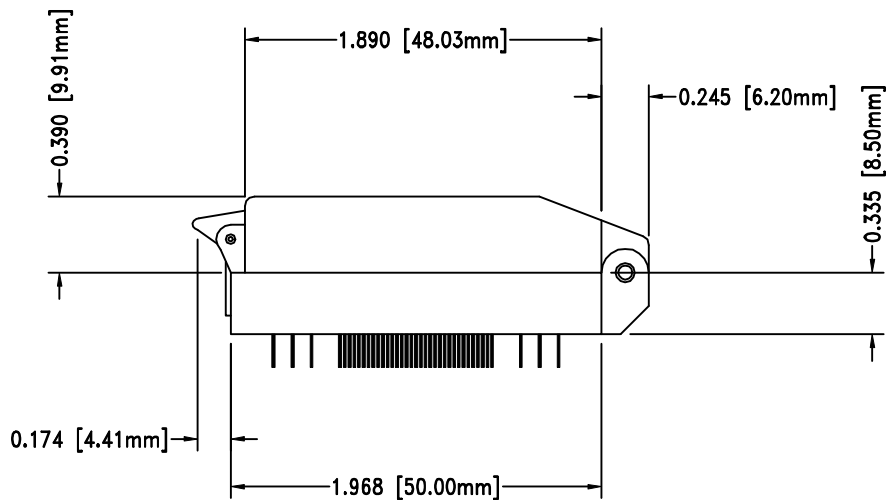
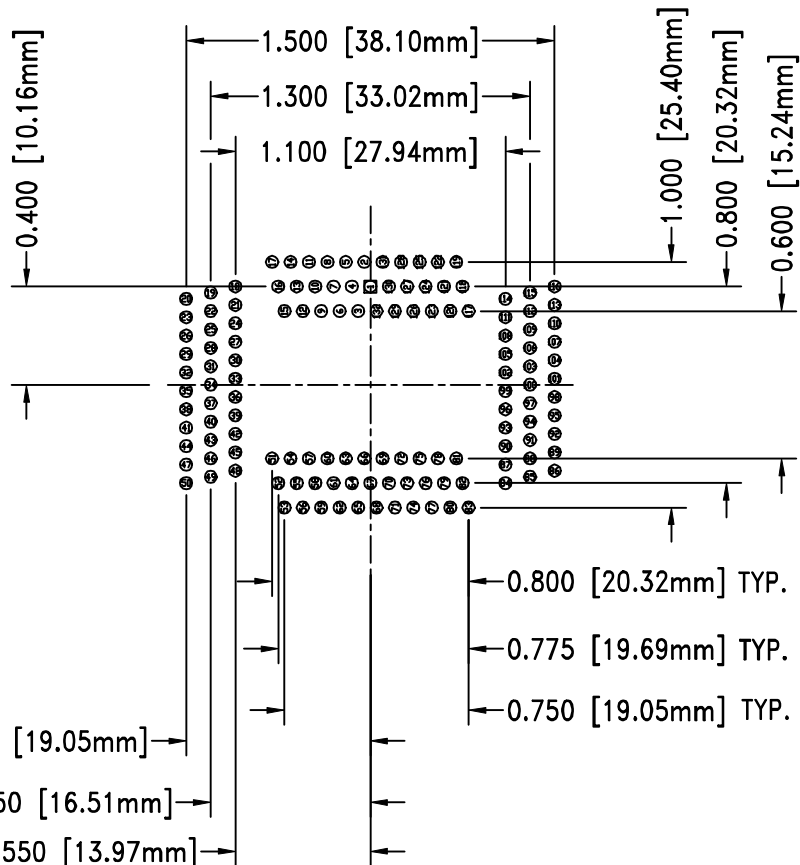
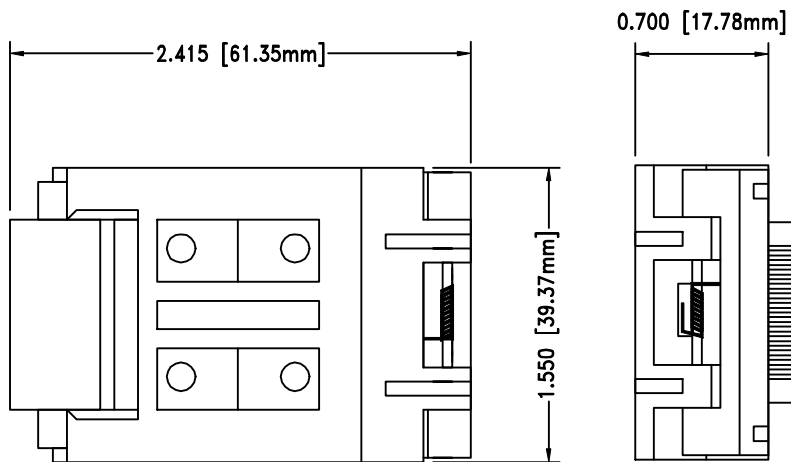



DIMENSIONS ARE IN INCHES[MILLIMETERS]

SKT031
DOD 4031



0.800 [20.32mm] TYP.
0.775 [19.69mm] TYP.
0.750 [19.05mm] TYP.

ET-PACKAGE CODE= 132-QF03
 -LEAD COUNT= 132
 -BODY SIZE= .950" [24.13mm]
 -LEAD PITCH= .025" [.635mm]
 -TIP TO TIP= 1.10" [27.94mm]

		Emulation Technology, Inc. — VLSI and SMT ADAPTERS and ACCESSORIES —	
		2344 Walsh Avenue, Bldg. F Santa Clara, Ca 95051	TEL:(408)982-0660 FAX:(408)982-0664
SHEET: 1 OF 1	DATE: 6-06-00	REVISION:	TEST & BURN IN SOCKET
CHECKED: Paula Olson	DRAWN: MIGUEL DELGILLO	E.T. PART #:	S-QFP-00-132-A
DO NOT SCALE DRAWING			ID CODE: S-QFP-00-132-A