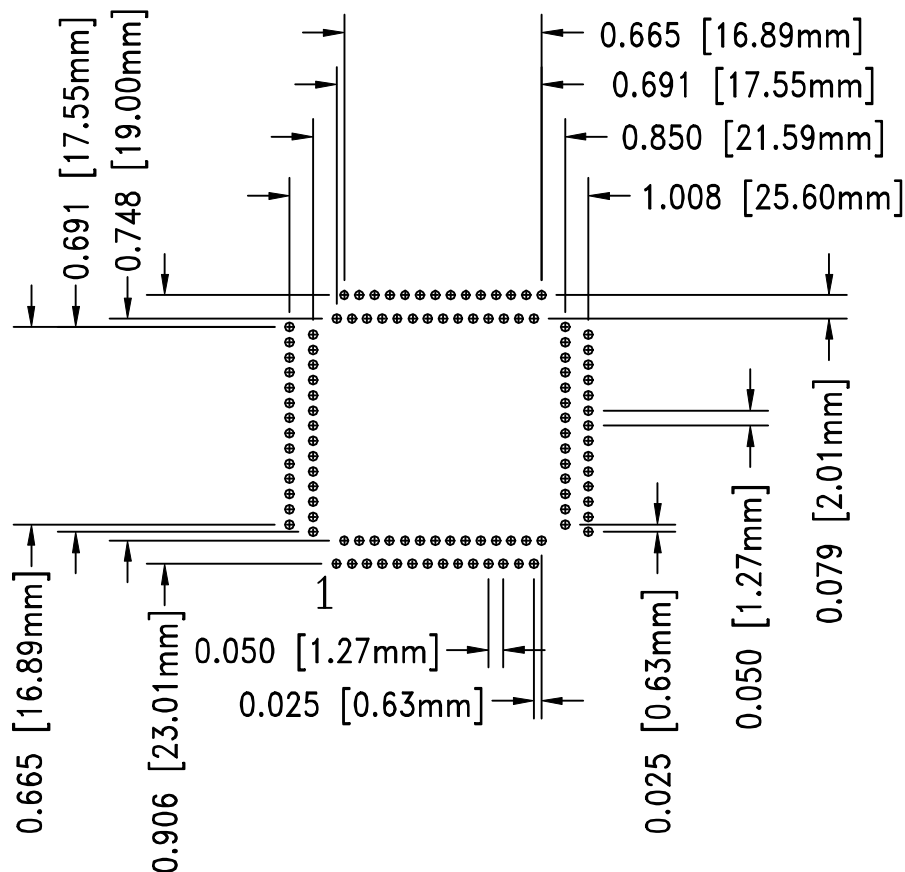
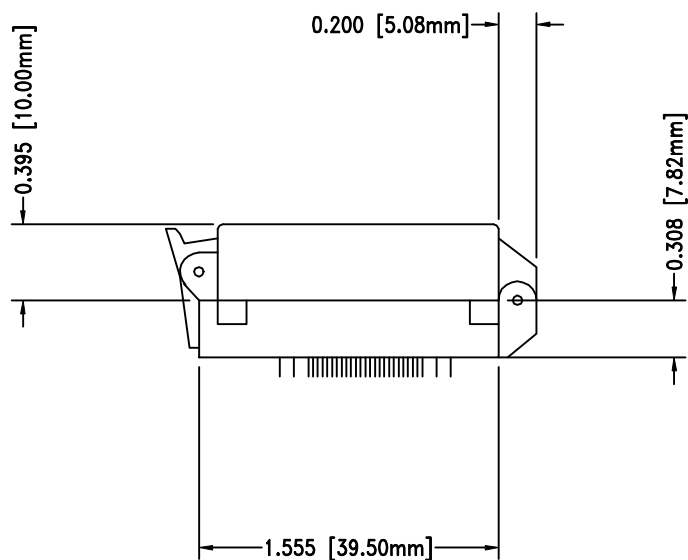
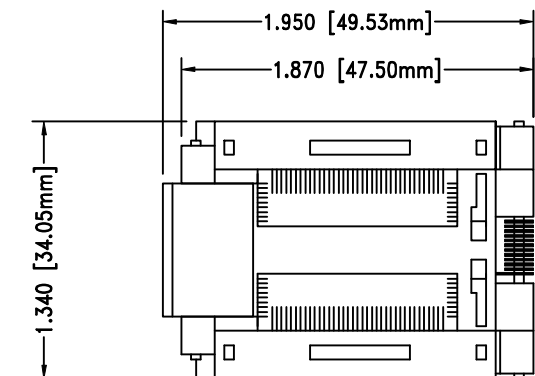


DIMENSIONS ARE IN INCHES[MILLIMETERS]


SKT027

DOD 4027



ET-PACKAGE CODE= 112-QF36B

- LEAD COUNT= 112
- BODY SIZE= 20mm
- LEAD PITCH= 0.65mm
- TIP TO TIP= 23.2mm

		Emulation Technology, Inc. — VLSI and SMT ADAPTERS and ACCESSORIES —	
		2344 Walsh Avenue, Bldg. F Santa Clara, Ca 95051	TEL:(408)982-0660 FAX:(408)982-0664
SHEET: 1 OF 1	DATE: 6-08-00	REVISION:	TEST & BURN IN SOCKET
CHECKED: Paula Olson	DRAWN: Miguel Delgadillo	E.T. PART #:	S-QFP-00-112-A
DO NOT SCALE DRAWING			ID CODE: S-QFP-00-112-A