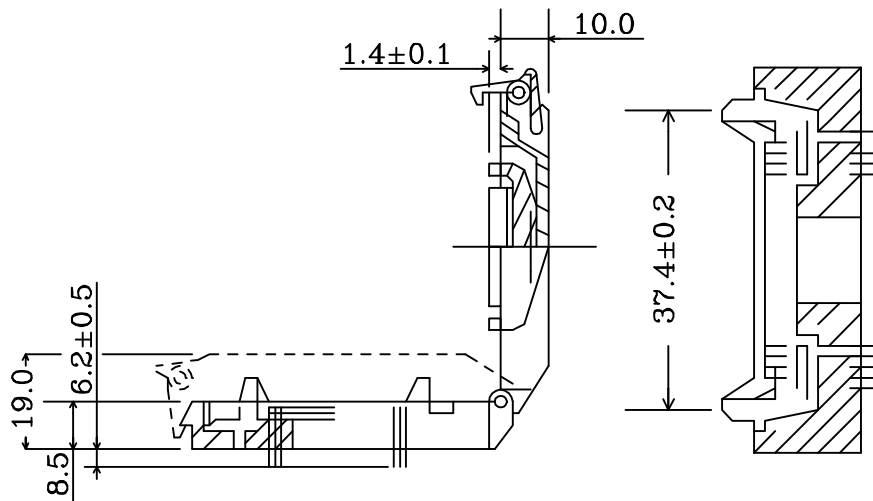
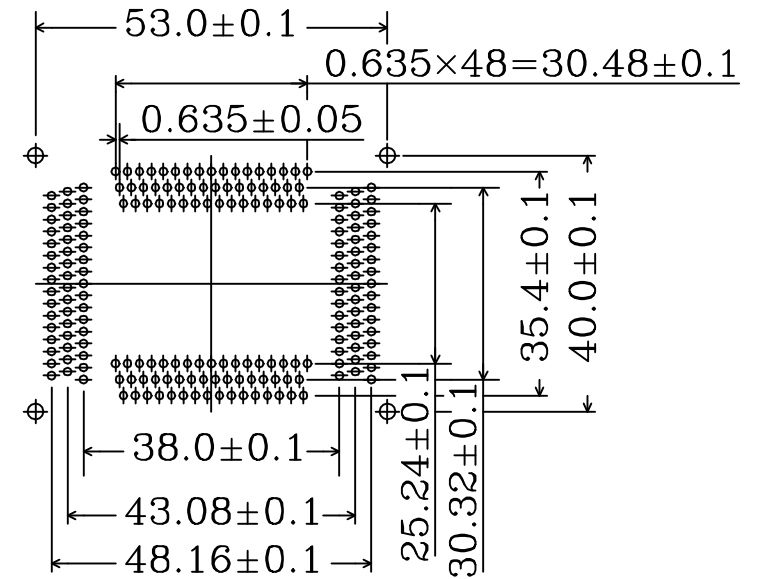
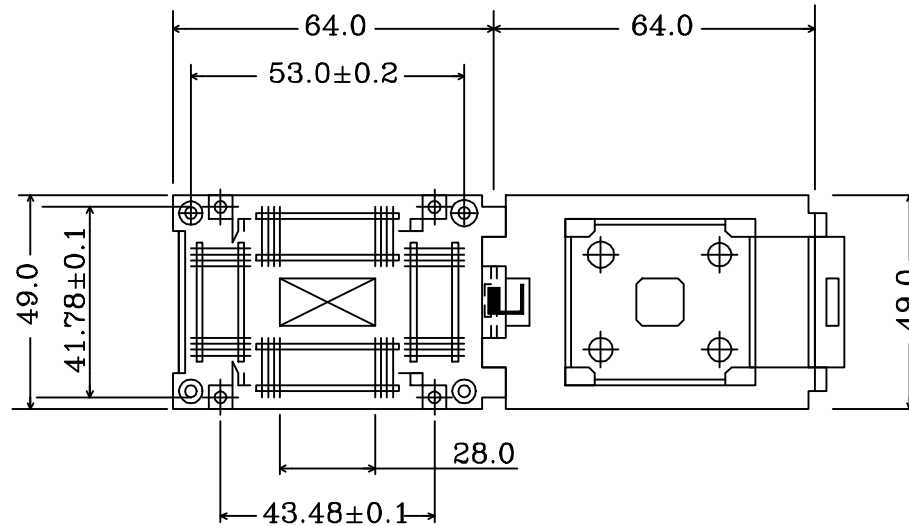


DIMENSIONS ARE IN MILLIMETERS

SKT016

DOD 4016



ET-PACKAGE CODE= 196-QF15

- LEAD COUNT= 196
- BODY SIZE= 1.35" SQ. [34.39mm]
- LEAD PITCH= .025" [.635mm]
- TIP TO TIP= 1.50" SQ. [38.1mm]



Emulation Technology, Inc.

— VLSI and SMT ADAPTERS and ACCESSORIES —

2344 Walsh Avenue, Bldg. F
Santa Clara, Ca 95051

TEL:(408)982-0660
FAX:(408)982-0664

SHEET:
1 OF 1

DATE:
6-09-00

REVISION:

TEST & BURN IN SOCKET

CHECKED:
Paul Olson

DRAWN:
Miguel Delgadillo

E.T. PART #: S-QFP-00-196-B

DO NOT SCALE DRAWING

ID CODE: S-QFP-00-196-B