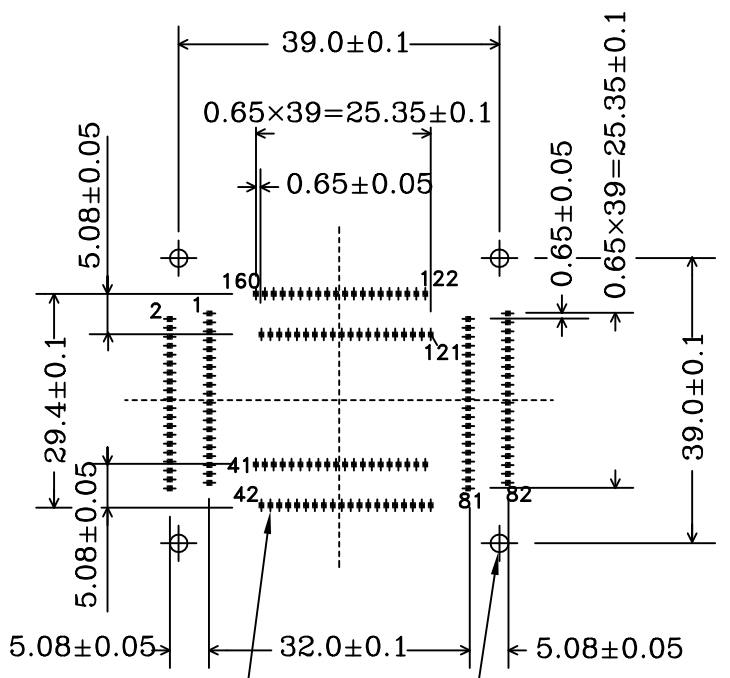
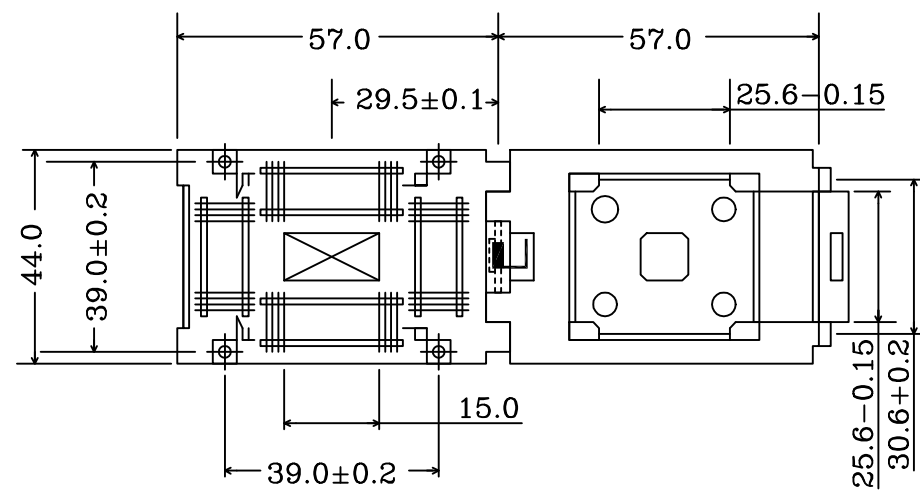


REV	DESCRIPTION	DATE	BY
A	NEW DRAWING	06/09/00	M.D.
B	ADDED FHS & CONTACT TAILS	09/09/02	H.N.

SKT013
DOD 4013

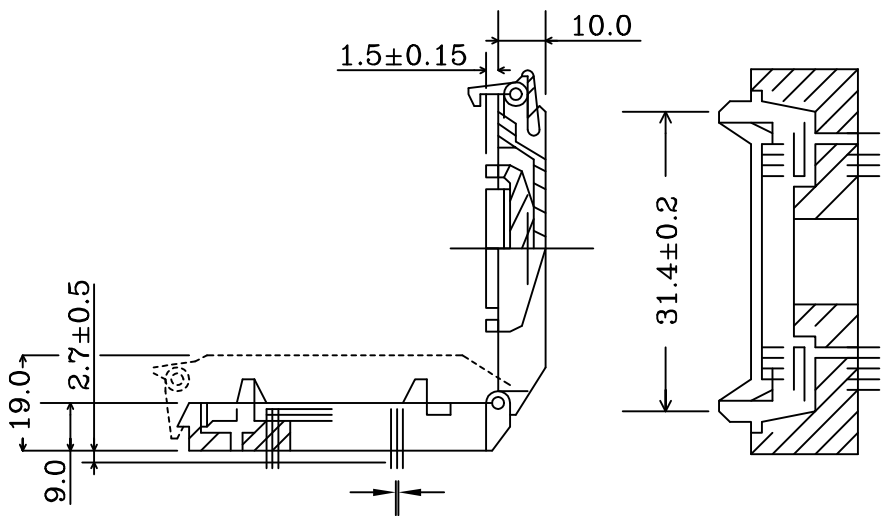
DIMENSIONS ARE IN MILLIMETERS



φ.0276 [φ0.70mm] FHS
(HOLE DIAMETER)

4X φ.094 [φ2.38mm]

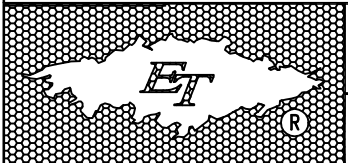
RECOMMENDED PCB LAYOUT
AS SEEN FROM TOP OF SOCKET



CONTACT TAILS
.0197 [0.50mm] X
.0118 [0.30mm]

PACKAGE SPECIFICATIONS	
PIN COUNT	= 160
LEAD PITCH	= 0.65mm
PACKAGE SIZE	= 28.00mm
TIP TO TIP	= 31.90mm
ET PACKAGE CODE	= 160-QF07A

ALL DIMENSIONS ARE IN INCHES UNLESS OTHERWISE SPECIFIED



Emulation Technology, Inc.
— VLSI and SMT ADAPTERS and ACCESSORIES —

2344 Walsh Avenue, Bldg.F Santa Clara, Ca 95051
TEL:(408)982-0660 FAX:(408)982-0664

SHEET: 1 OF 1	DATE: 09/09/02	REVISION: B	ASSEMBLY DRAWING
CHECKED: Perry Munroe	DRAWN: Huy Nguyen	ITEM: S-QFP-00-160-A	DESCRIPTION: S-QFP-00-160-A
Scale 1:1	DO NOT SCALE DRAWING		