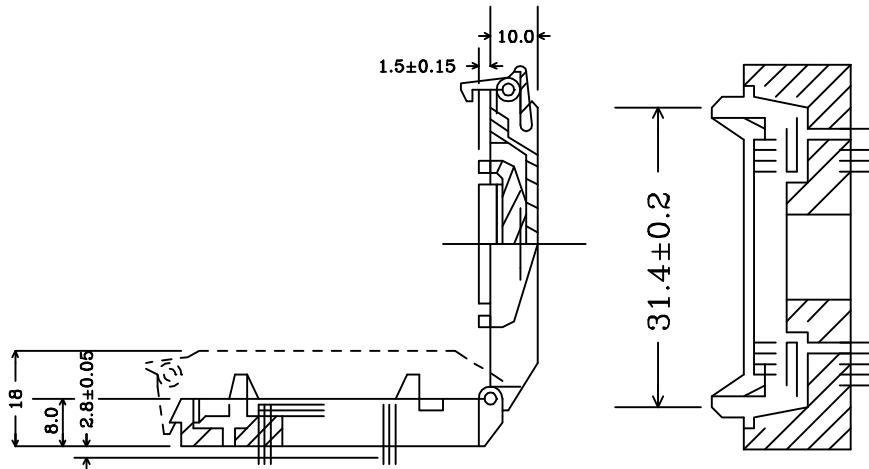
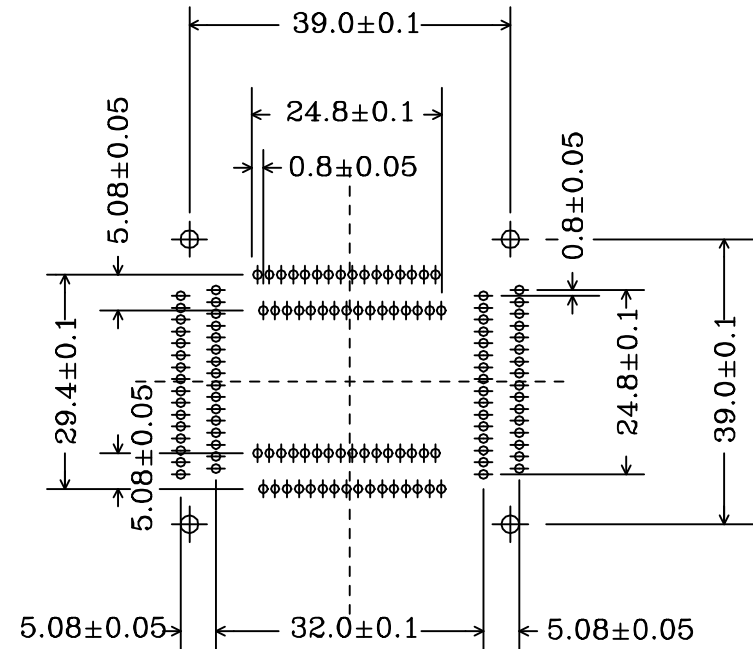
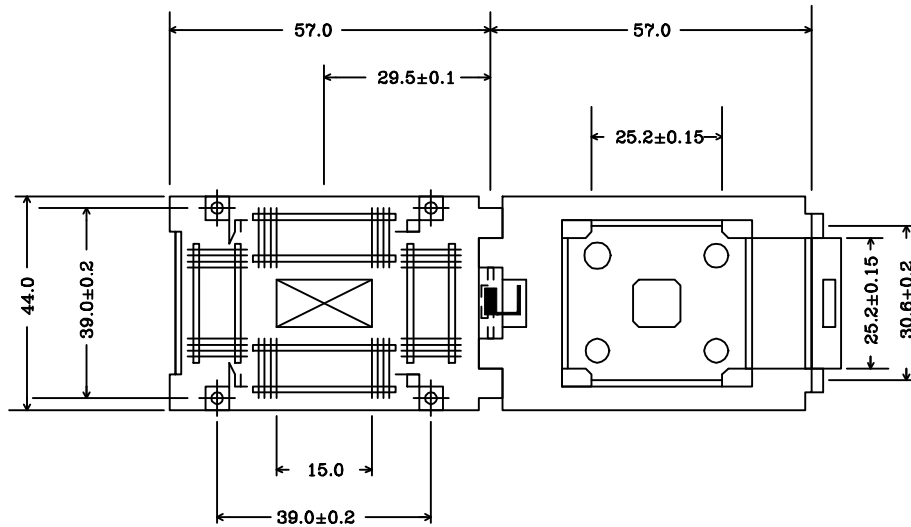


DIMENSIONS ARE IN MILLIMETERS

SKT011

DOD 4011



DIMENSIONS ARE IN "MM"

ET-PACKAGE CODE=128-QF13A

- LEAD COUNT= 128
- BODY SIZE= 28mm
- LEAD PITCH= 0.8mm
- TIP TO TIP= 31.9mm



Emulation Technology, Inc.

— VLSI and SMT ADAPTERS and ACCESSORIES —

2344 Walsh Avenue, Bldg. F
Santa Clara, Ca 95051

TEL:(408)982-0660
FAX:(408)982-0664

SHEET:
1 OF 1

DATE:
6-08-00

REVISION:

TEST & BURN IN SOCKET

CHECKED:
Paula Olson

DRAWN:
Miguel Delgadillo

E.T. PART #: S-QFP-00-128-A

DO NOT SCALE DRAWING

ID CODE: S-QFP-00-128-A