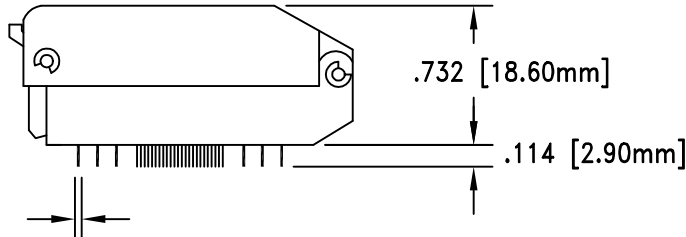
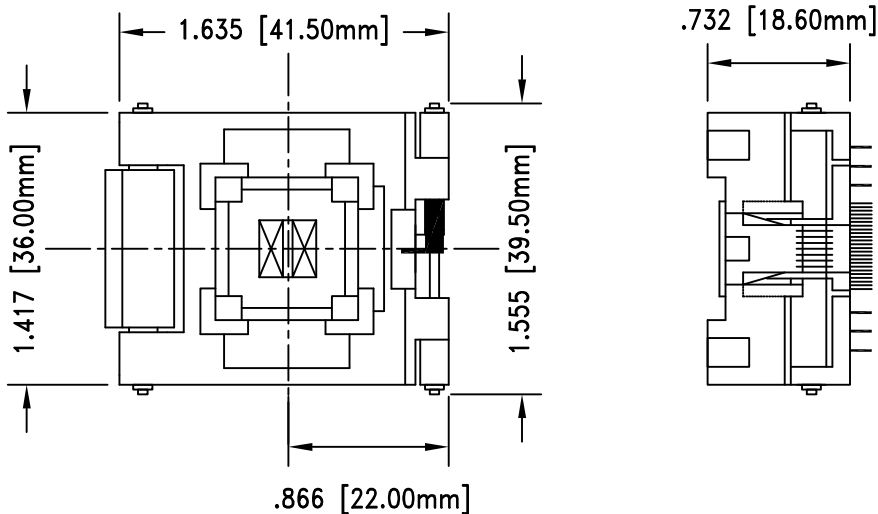


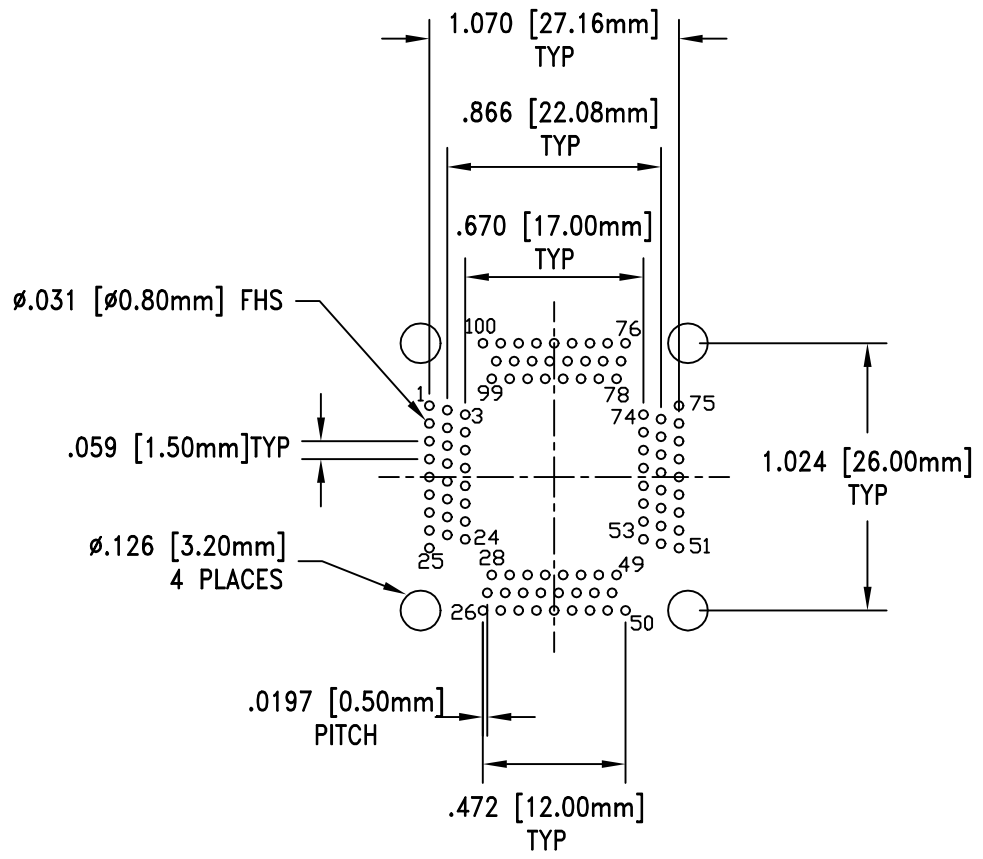
REV	DESCRIPTION	DATE	BY
A	NEW DRAWING	6/8/00	M.D.
B	UPDATED FOOTPRINT	8/22/01	A.F.
C	UPDATED DIMMENSIONS	8/23/01	A.F.
D	UPDATED FINISH HOLE SIZE	11/15/01	H.N.
E	ADDED PACKAGE THICKNESS	04/03/02	H.N.

SKT010  
DOD 4010



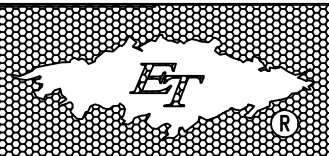
CONTACT TAILS  
.0197 [0.50mm] X  
.0098 [0.25mm]

PACKAGE SPECIFICATIONS	
PIN COUNT	= 100
LEAD PITCH	= 0.50mm
PACKAGE SIZE	= 14.00mm SQUARE
TIP TO TIP	= 16.00mm SQUARE
PACKAGE THICKNESS	= 1.40mm MAX.



RECOMMENDED PAD LAYOUT

ALL DIMENSIONS ARE IN INCHES UNLESS OTHERWISE SPECIFIED



**Emulation Technology, Inc.**  
— VLSI and SMT ADAPTERS and ACCESSORIES —

2344 Walsh Avenue, Bldg.F Santa Clara, Ca 95051  
TEL:(408)982-0660 FAX:(408)982-0664

SHEET: 1 OF 1	DATE: 04/03/02	REVISION: E	<b>ASSEMBLY DRAWING</b>
CHECKED: Perry Munroe	DRAWN: Huy Nguyen	ITEM: S-QFP-00-100-G	
Scale 1:1		DO NOT SCALE DRAWING	DESCRIPTION: S-QFP-00-100-G