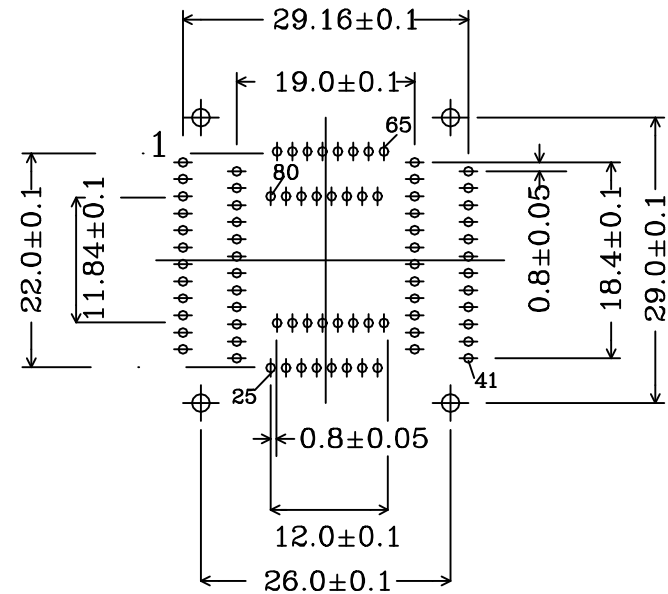
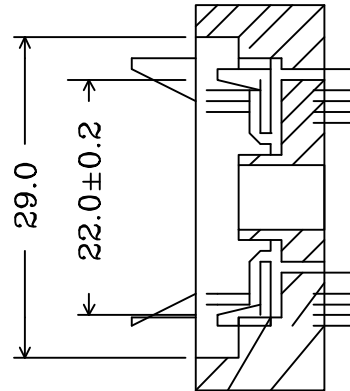
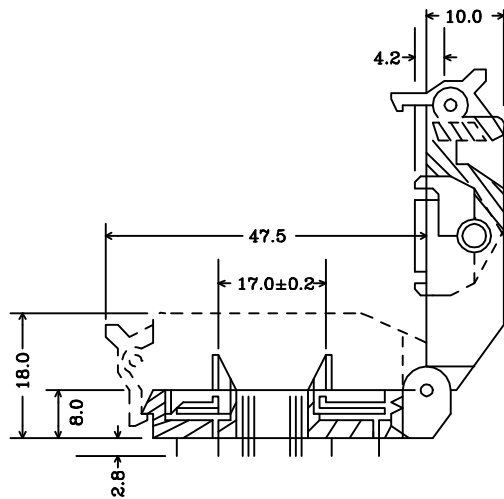
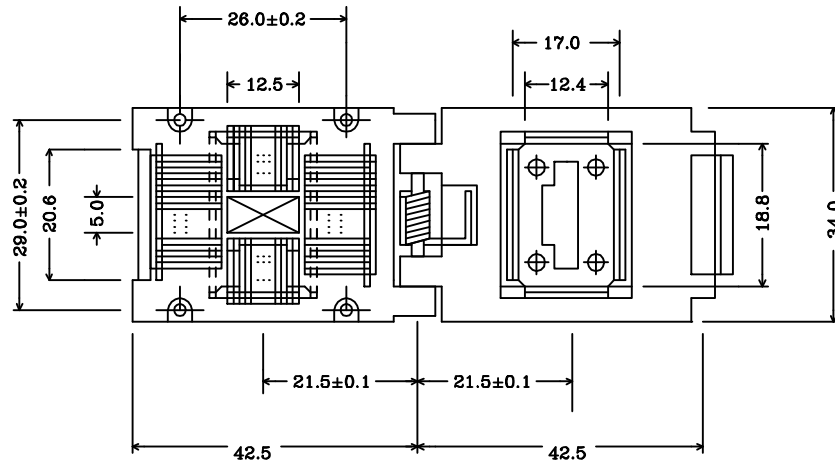


DIMENSIONS ARE IN MILLIMETERS

SKT006

DOD 4006



ET-PACKAGE CODE= 80-QF08A

- LEAD COUNT= 80
- BODY SIZE= 14mm X 20mm
- LEAD PITCH= 0.80mm
- TIP TO TIP= 17.9mm X 23.9mm



Emulation Technology, Inc.

— VLSI and SMT ADAPTERS and ACCESSORIES —

2344 Walsh Avenue, Bldg. F
Santa Clara, Ca 95051

TEL:(408)982-0660
FAX:(408)982-0664

SHEET:
1 OF 1

DATE:
6-08-00

REVISION:

TEST & BURN IN SOCKET

CHECKED:
Paula Olson

DRAWN:
Miguel Delgadillo

E.T. PART #: S-QFP-00-080-B

DO NOT SCALE DRAWING

ID CODE: S-QFP-00-080-B