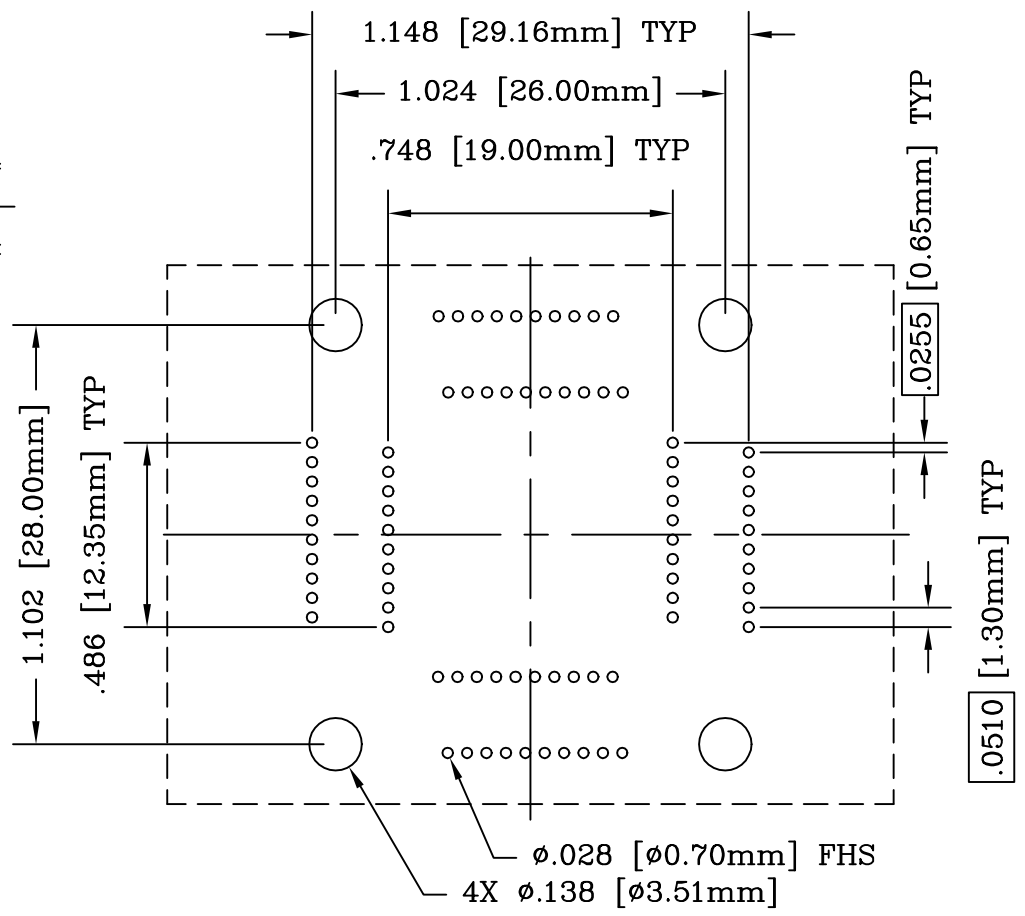
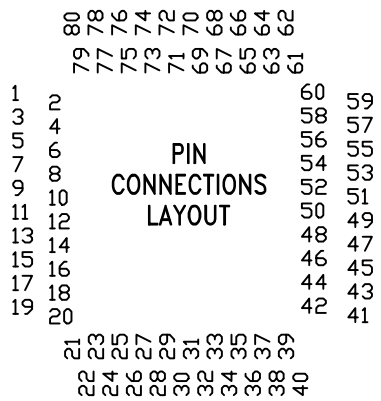
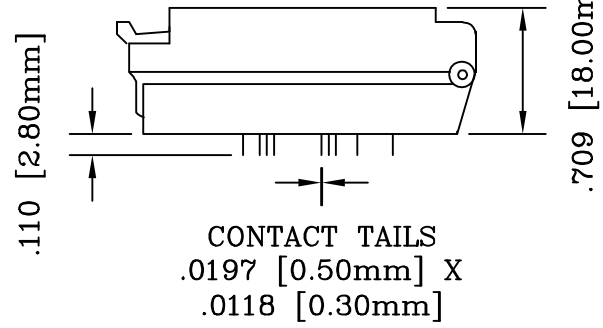
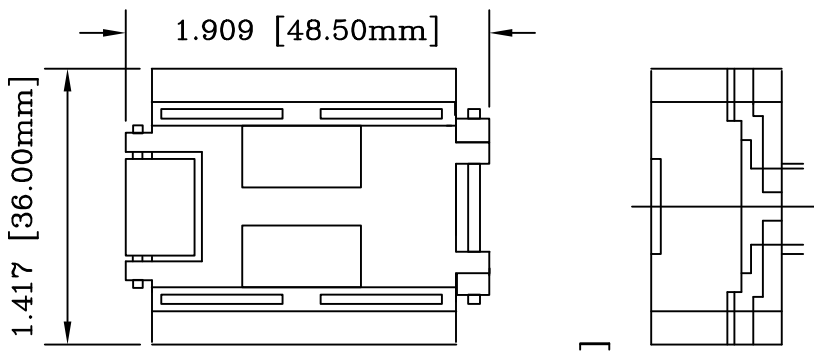


REV	DESCRIPTION	DATE	BY
A	NEW DRAWING	6/07/00	M.D.
B	ADDED CONTACT TAILS & FHS	03/11/02	H.N.
C	ADDED SOCKET OUTLINE	04/03/02	H.N.

SCALE 2:1

SKT005
DOD 4005



RECOMMENDED FOOTPRINT  
AS SEEN FROM TOP OF SOCKET

PACKAGE SPECIFICATIONS	
PIN COUNT	== 80
LEAD PITCH	== 0.65mm
PACKAGE SIZE	== 14.00mm
TIP TO TIP	== 17.20mm
ET-PACKAGE CODE= 80-QF14B	

ALL DIMENSIONS ARE IN INCHES UNLESS OTHERWISE SPECIFIED

**Emulation Technology, Inc.**  
— VLSI and SMT ADAPTERS and ACCESSORIES —

2344 Walsh Avenue, Bldg.F Santa Clara, Ca 95051

TEL:(408)982-0660 FAX:(408)982-0664

SHEET: 1 OF 1	DATE: 04/03/02	REVISION: C	<b>ASSEMBLY DRAWING</b>
CHECKED: Perry Munroe	DRAWN: Huy Nguyen	ITEM: S-QFP-00-080-A	
Scale 1:1		DO NOT SCALE DRAWING	DESCRIPTION: S-QFP-00-080-A