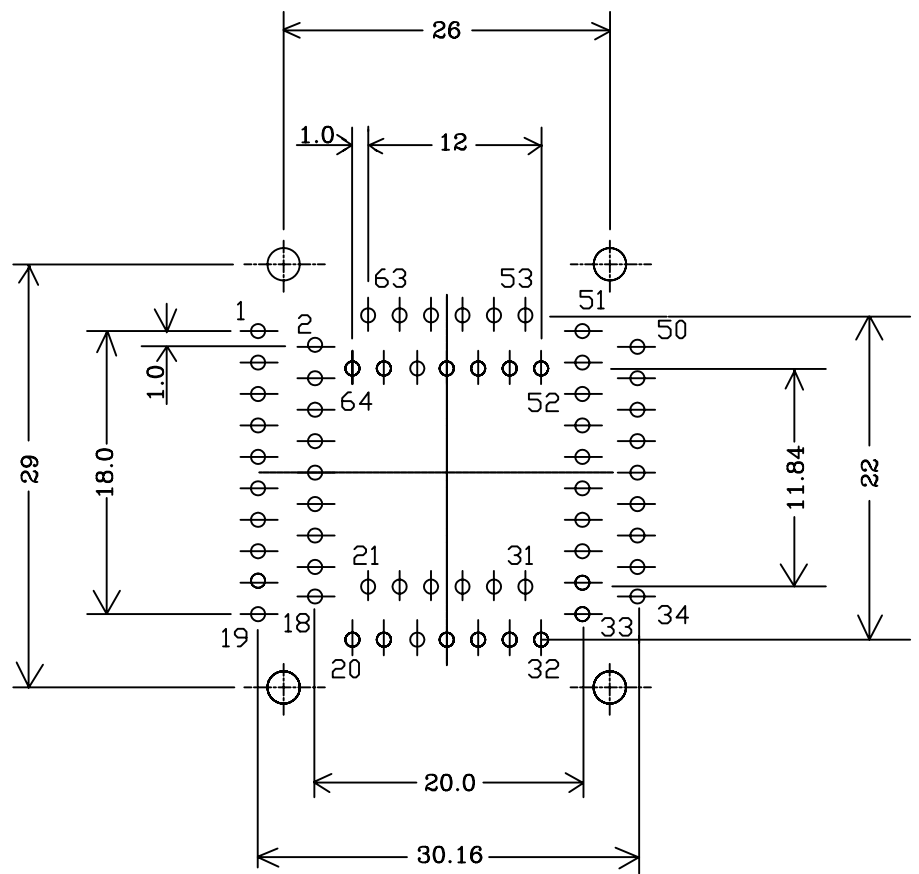
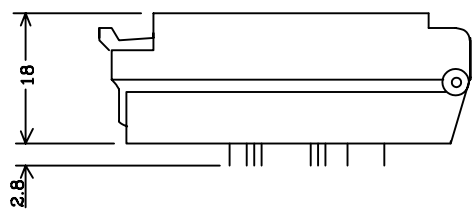
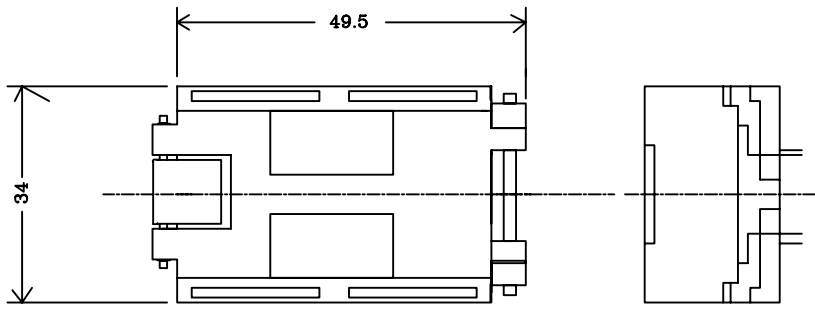


REV	DESCRIPTION	DATE	BY
A	NEW DRAWING	06/07/00	M.D
B	ADDED PAGE #2	03/23/07	H.N.

SKT004



PACKAGE SPECIFICATIONS	
PIN COUNT	= 64
LEAD PITCH	= 1.00mm
PACKAGE SIZE	= 14.00X20.00mm
TIP TO TIP	= 19.6±0.3/25.6±0.3
ET-PACKAGE CODE	= 64-QF09

ALL DIMENSIONS ARE IN MILLIMETERS UNLESS OTHERWISE SPECIFIED

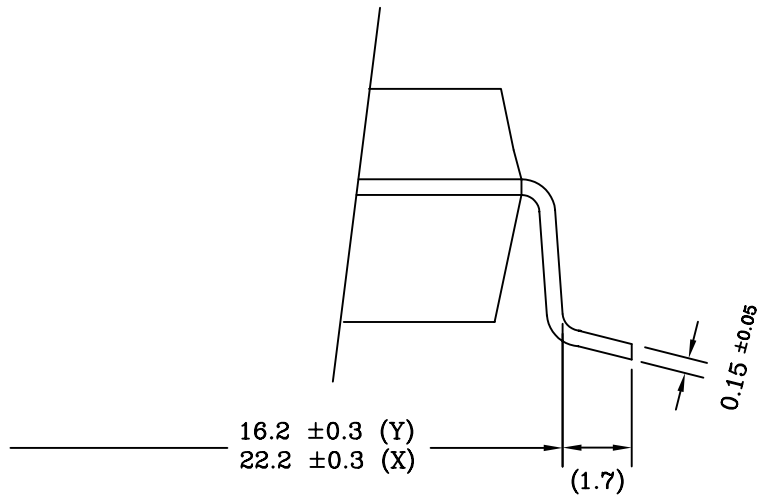
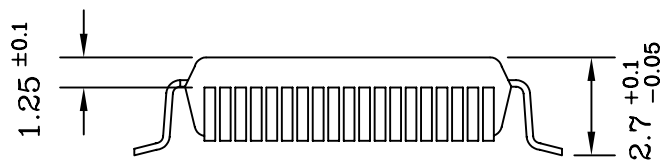
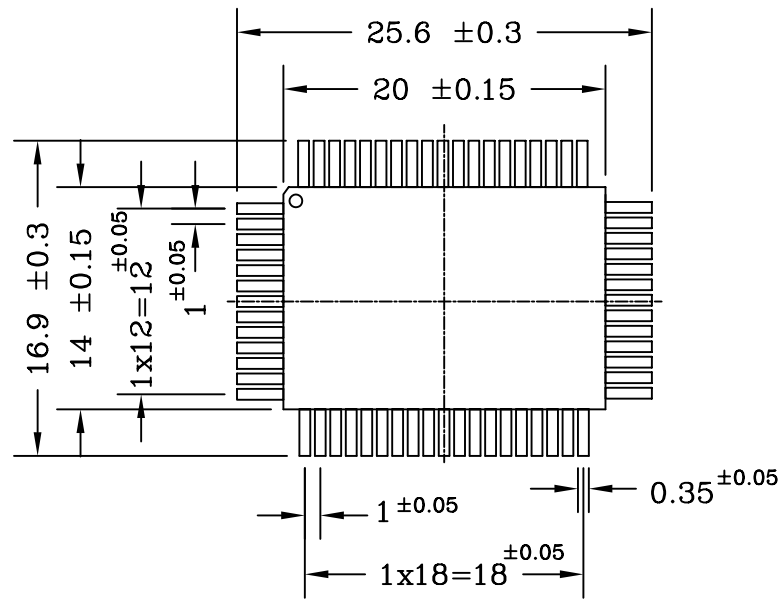


Emulation Technology, Inc.
 — VLSI and SMT ADAPTERS and ACCESSORIES —
 2344 Walsh Avenue, Bldg.F Santa Clara, Ca 95051
 TEL:(408)982-0660 FAX:(408)982-0664

SHEET: 1 OF 2	DATE: 03/20/07	REVISION: B	ASSEMBLY DRAWING
CHECKED:	DRAWN: H.N.	ITEM: S-QFP-00-064-A	DESCRIPTION: S-QFP-00-064-A
Scale N/A	DO NOT SCALE DRAWING		

REV	DESCRIPTION	DATE	BY
A	NEW DRAWING	03/23/07	H.N.

SKT004



ALL DIMENSIONS ARE IN MILLIMETERS UNLESS OTHERWISE SPECIFIED



Emulation Technology, Inc.
 — VLSI and SMT ADAPTERS and ACCESSORIES —
 2344 Walsh Avenue, Bldg.F Santa Clara, Ca 95051
 TEL:(408)982-0660 FAX:(408)982-0664

SHEET: 2 OF 2	DATE: 03/23/07	REVISION: A	ASSEMBLY DRAWING
CHECKED:	DRAWN: H.N.	ITEM: S-QFP-00-064-A	
Scale N/A	DO NOT SCALE DRAWING	DESCRIPTION: S-QFP-00-064-A	