



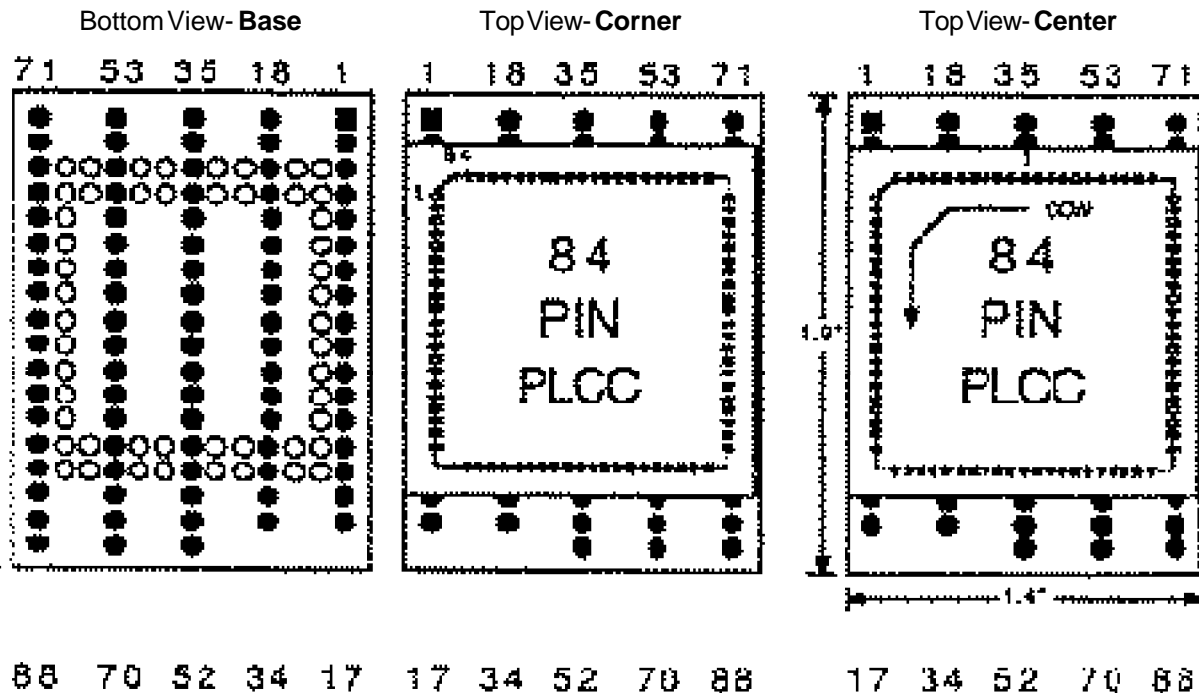
EMULATION TECHNOLOGY, INC.
 www.1800ADAPTER.com
 1-800-ADAPTER(232-7837)

ADAPT-A-BOARD[®]

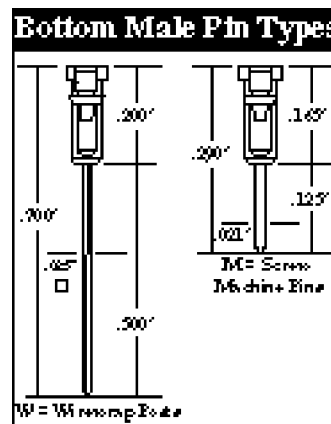
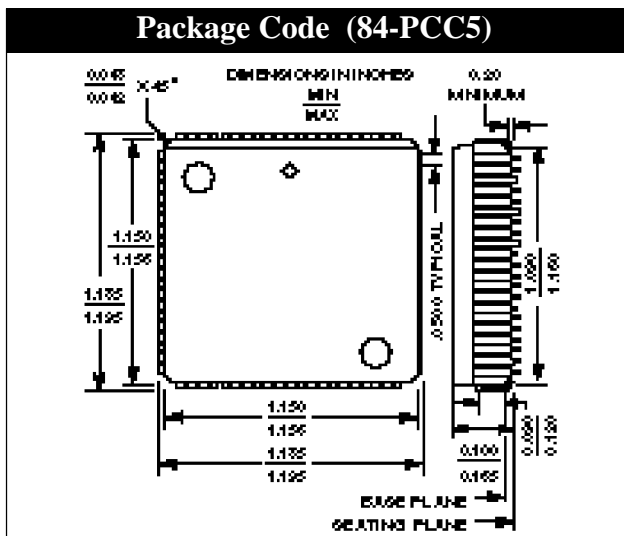
Pin Maps

Specification#:
 M2793

Item: AB84PCC5AM
 Description: AB-084-PCC5-A-M



Note: - PART #ID CODE FOR DRAWING IS: PCC84-01





EMULATION TECHNOLOGY, INC.
www.1800ADAPTER.com
1-800-ADAPTER(232-7837)

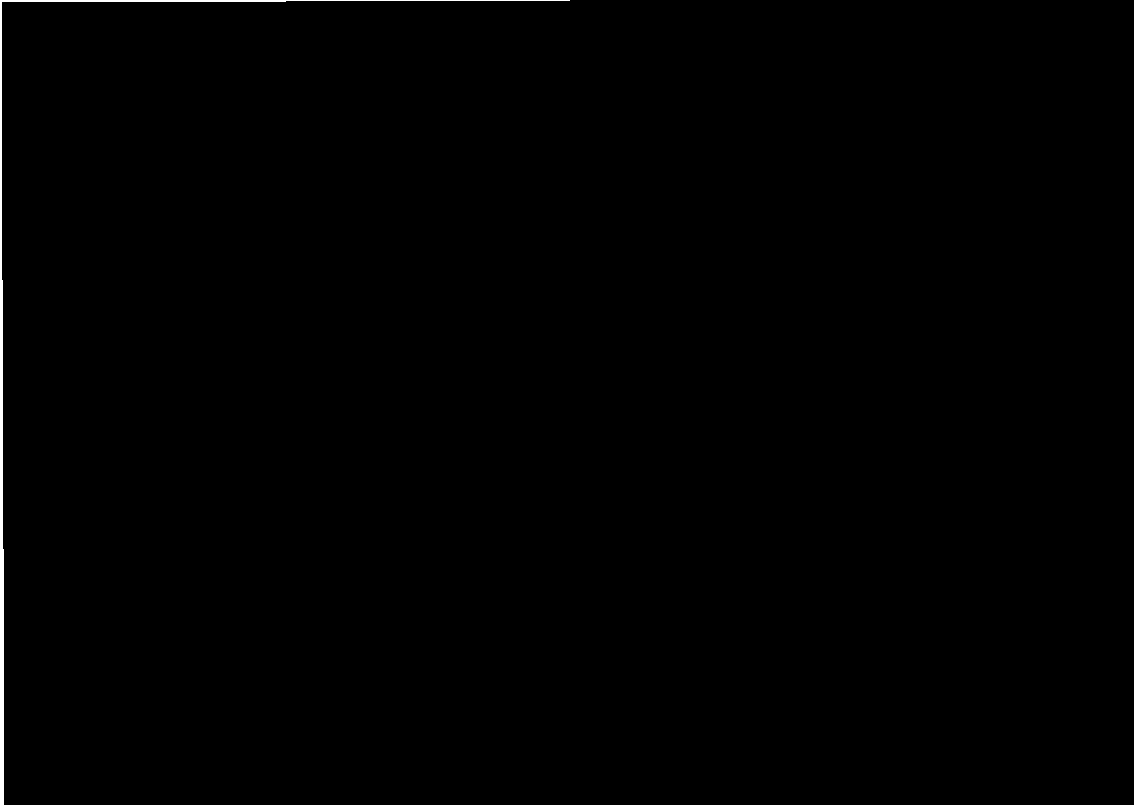
ADAPT-A-BOARD[®]

Pin Maps

Specification#:
M2793

Item: AB84PCC5AM
Description: AB-084-PCC5-A-M

CONNECTION TABLE:



Corner: - PLCC socket pin 1 in Corner of socket.
Center: PLCC socket pin 1 in Center of socket side.