



EMULATION TECHNOLOGY, INC.

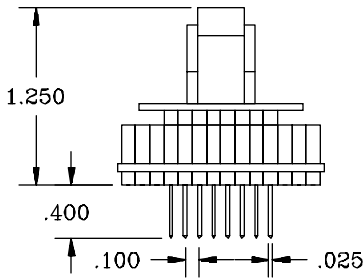
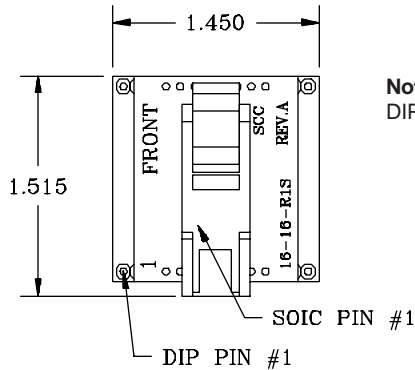
PROGRAMMING ADAPTER SPECIFICATION

Item: 1616R1S600
Description: AS-16-16-R1S-6

REPLACEMENT SOCKET: S-SOR-00-016-C

Call Emulation Technology for a replacement socket price and delivery quote.

TYPICAL DIMENSIONS:



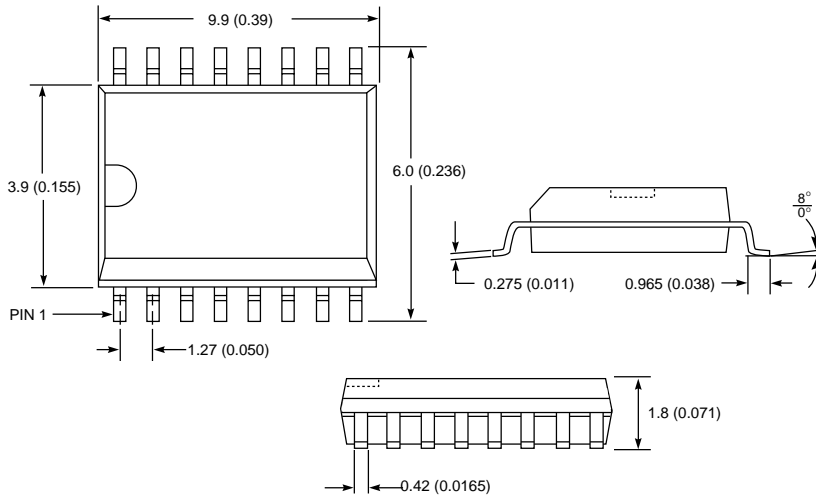
All Dimensions in Inches.

(Assembly Drawing: F2137)

CONNECTION TABLE:

16-Lead SOIC SOCKET	16-Pin DIP Base
1	1
2	2
3	3
4	4
5	5
6	6
7	7
8	8
9	9
10	10
11	11
12	12
13	13
14	14
15	15
16	16

PACKAGE SPECIFICATIONS:



All Dimensions in Millimeters and (Inches).

ET Code: 016-S001

Compatible SOIC devices:

--

Manufacturers:

--



EMULATION TECHNOLOGY, INC.

2344 WALSH AVENUE • BUILDING F
SANTA CLARA, CA 95051-1301

TEL 408 / 982.0660 • FAX 408 / 982.0664

Call today for a FREE Full Line Catalog and Unlimited Application Consulting!